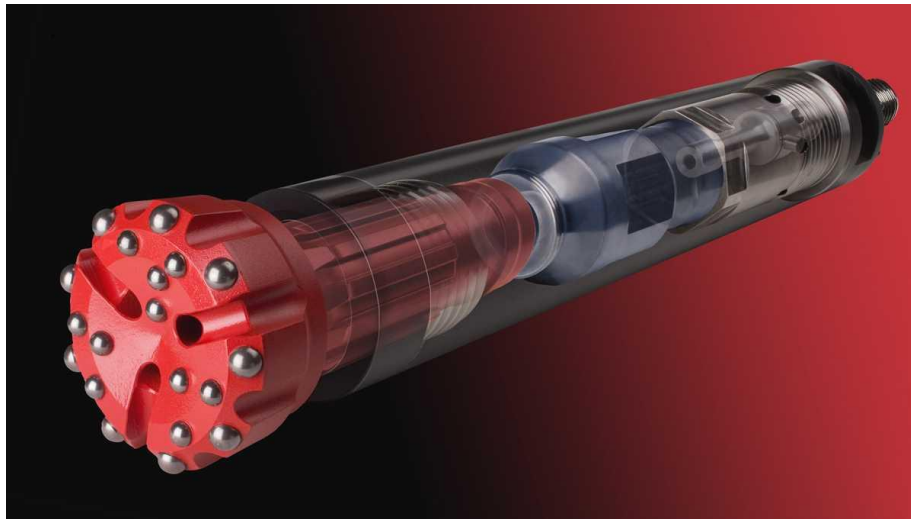




# ROK SERIES & ROK T SERIES DTH HAMMER

## OPERATION & SERVICE GUIDE

English • Spanish • German



*Patented SonicFlow Technology*



**R O C K M O R E**  
**I N T E R N A T I O N A L**

*Rock Drilling Tools*

Mining • Construction • Quarrying • Water-well • Geothermal

For all your rock drilling tool needs contact  
**ROCKMORE INTERNATIONAL**



USA

Phone: 503-682-1001  
Fax: 503-682-1002  
E-mail: [info@rockmore-intl.com](mailto:info@rockmore-intl.com)

10065 SW Commerce Circle  
Wilsonville, OR 97070, USA

AUSTRIA

Phone: 43-3572-86300  
Fax: 43-3572-84179  
E-mail: [austria@rockmore-intl.at](mailto:austria@rockmore-intl.at)

Collini - Strasse 2  
A-8750 Judenburg, Austria



[www.rockmore-intl.com](http://www.rockmore-intl.com)

# ROK SERIES & ROK T SERIES DTH HAMMER

## OPERATION & SERVICE GUIDE

TABLE OF CONTENTS .....	PAGE
1 – Introduction .....	1
1.1 – ROK T Series High-Performance DTH hammers ..... <span style="border: 1px solid black; padding: 0 2px;">X TUBELESS X</span> .....	2
2 – Operation .....	3
2.1 – Initial Hammer Inspection .....	3
2.2 – Initiating the ROK & ROK T Hammers.....	3
2.3 – Adjustable Choke System.....	4
3 – Hammer Maintenance .....	4
3.1 – Lubrication .....	4
3.2 – Contamination .....	5
3.3 – Corrosion .....	5
4 – Servicing .....	5
4.1 – Disassembly .....	5
4.2 – Clamp Zone .....	6
4.3 – Routine Inspection .....	7
4.4 – Wear Limits Table.....	8
4.5 – Assembly .....	11
5 – ROK Series & ROK T Series Hammer Parts List .....	11
6 – ROK Series & ROK T Series Hammer Technical Data Table .....	12
7 – Safety .....	15
8 – Warranty.....	15

**Rockmore International, Inc.**  
 10065 SW Commerce Circle  
 Wilsonville, OR 97070  
 USA

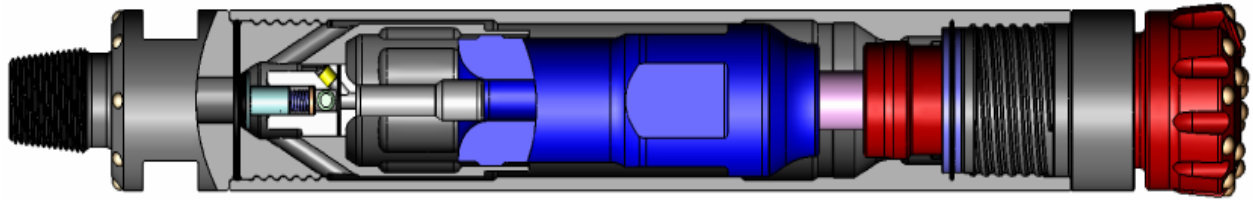
Phone: +1-503-682-1001  
 Fax: +1-503-682-1002  
 Email: [info@rockmore-intl.com](mailto:info@rockmore-intl.com)

**Rockmore International GmbH**  
 Collini – Strasse 2  
 A-8750 Judenburg  
 Austria

Phone: +43 3572 86 300-0  
 Fax: +43 3572 84 179  
 Email: [austria@rockmore-intl.at](mailto:austria@rockmore-intl.at)

[www.rockmore-intl.com](http://www.rockmore-intl.com)

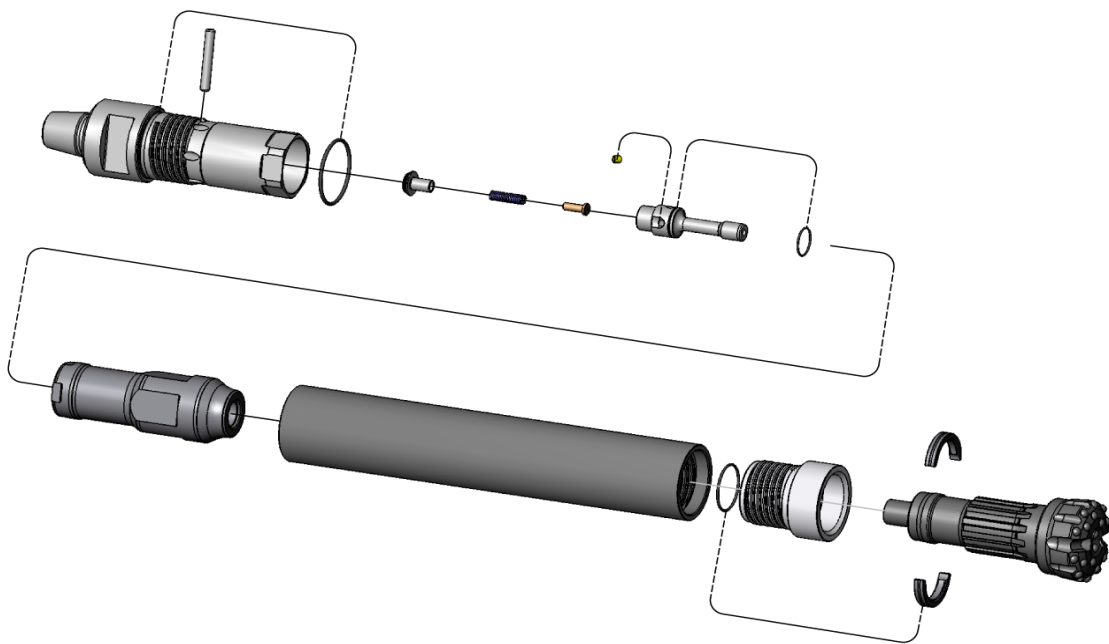




## **1. INTRODUCTION:**

### **ROK Series and ROK T Series High-Performance DTH Hammers**

Optimal energy transfer is essential to DTH drilling efficiency – how much compressed air power is delivered to the bit. That's why we've revolutionized airflow management in the new ROK series and ROK T series high performance DTH hammers. Our patented SonicFlow technology minimizes back flow and turbulence, enabling the Piston to hit the bit harder and with greater frequency. That means increased efficiency, more power, and faster penetration. And streamlined design means fewer parts and easier maintenance. So, for greater productivity get ready to ROK!

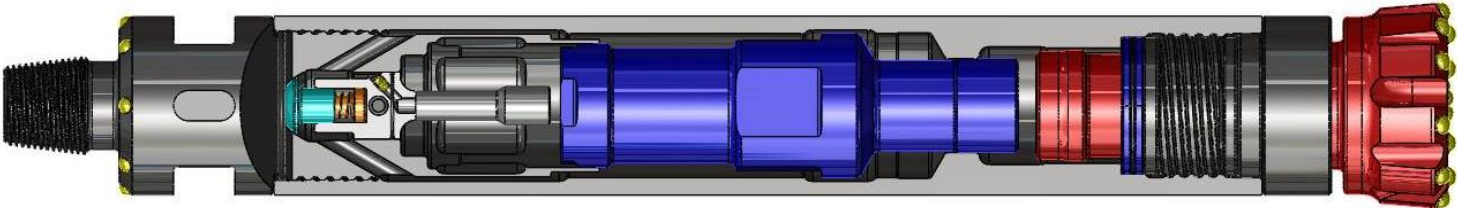


**1.1 – ROK T Series High-Performance DTH Hammers**

The same benefits of the ROK series hammers have also been incorporated into our ROK T Series hammers. The ROK T series high-performance DTH hammers have eliminated the need for plastic blow tubes / foot valves in the DTH bit while retaining industry standard shanks and superior performance. (Blow tubes / foot valves should be removed from the DTH bit, **not cut or broken** off.)



Do not use plastic blow tubes / foot valves with the ROK T Series hammers. Blow tubes / foot valves should be removed from the DTH bit, **not cut or broken** off. Failure to do so will damage the hammer and void all warranties.



## **2. OPERATION:**

### **2.1 – Initial Hammer Inspection**

All ROK and ROK T hammers are factory tested to ensure each hammer operates correctly at delivery. Upon delivery, inspect the contents in the crate to make sure you have ordered the correct ROK series or ROK T Series DTH hammer.

- Please take notice of the serial number stamped in the key flats on the Top Sub. Any service or warranty issue will require this serial number in order to start our warranty procedure.



### **2.2 – Initiating the ROK & ROK T Hammers**

We recommend using DTH bits in good condition. Avoid using DTH bits that are overrun, as this will alter your drilling penetration rates and can cause premature wear on various components of the hammer. (When using a **ROK T** hammer it is important to **REMOVE** the blow tube/foot valve. Sawing the blow tube / foot valve off is not recommended and can cause damage to the hammer or at the very least reduce performance.)

Inspect threads of the drill pipe and ROCKMORE Top Sub to ensure proper fit between the two components. Apply thread grease to the threads prior to fitting the hammer onto the drill pipe in order to avoid any galling or corrosion in this area. While fitting the hammer onto the drill pipe, it is important to avoid debris, dirt, or dust. This type of contamination can weaken the thread connection and thus alter drilling performance.

It is important to apply thread grease to the Top Sub and Driver Sub threads to allow for easier disassembly of the hammer. Thread grease should be reapplied to the Driver Sub threads at every bit change. ROCKMORE also suggests that the Top Sub & Driver Sub be torqued to 750-1000 ft-lb per inch (40.5 – 54 N-m per mm) of hammer diameter (see Clamp Zone section on page 6 before torquing).

Our hammers are stocked and shipped with an adequate supply of rock drill oil. Prior to starting the hammer, it is crucial to add additional rock drill oil through the Top Sub. When adding oil, the hammer should be held upright so that the oil can lubricate all internal components. Please reference section 3.1 below for minimum amounts of rock drill oil required for all ROK Series and ROK T Series DTH Hammers.

The percussive mechanism begins to operate as the air supply is turned on and when the drill bit is pushed firmly into the hammer. Excessive pressure is not needed to initiate the hammer. Rotate the hammer clockwise at approximately 30-rpm. The DTH bit will now push into the Driver Sub and percussive action begins. When the hammer is lifted from the rock face, the DTH bit extends from the Driver Sub and percussive action ceases. Extra air will pass through the hammer, which can be used to flush the hole clean. By adjusting airflow, air pressure, feed force, and rotation the optimal penetration rates and productivity can be achieved.

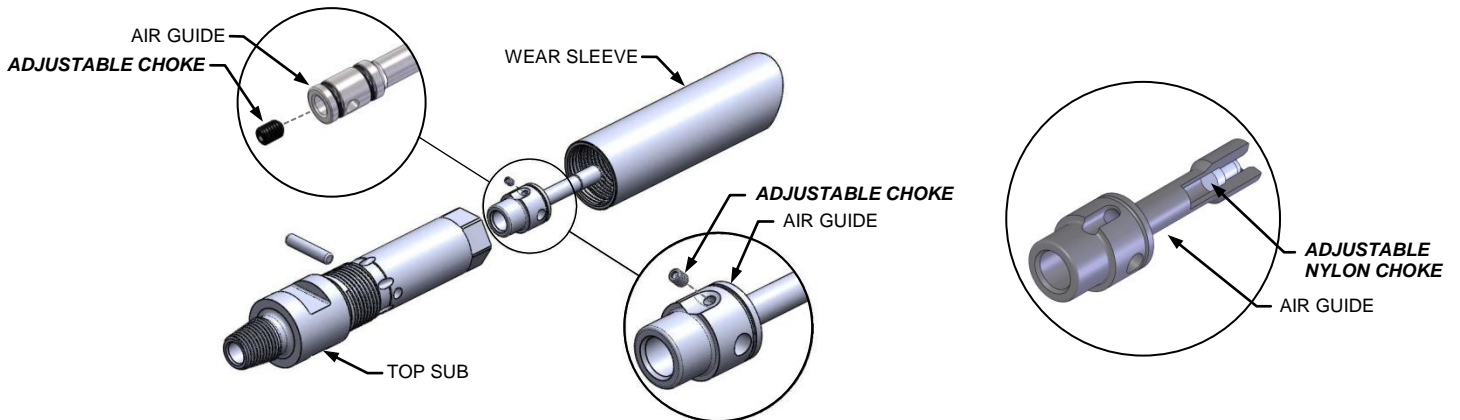
Rotation speed should be selected according to drilling conditions and drill rig capabilities. Please be aware that excessive rotation may result in premature wear on the drill bit and not better penetration rates.



## 2.3 – Adjustable Choke System

Our ROK Series and ROK T Series DTH hammers are equipped with an adjustable Choke system, which allows you to adjust the volume of air that is used to power the Piston. After disassembling the Top Sub, remove the Air Guide in order to access the Choke.

Different size holes can be drilled into the steel or nylon Chokes. A bigger hole will lower the power level and allow the excess air to help remove the cuttings and water. The Choke may be drilled with a maximum hole size of 3/16" (5mm). In some cases the choke can be completely removed to allow maximum bypass.



## 3. HAMMER MAINTENANCE:

### 3.1 – Lubrication

Proper lubrication is necessary for effective and efficient drilling operations. Inadequate amounts of lubrication may damage the hammer resulting in premature hammer failure. With insufficient amounts of lubrication the temperatures of the Piston surface can exceed 1400° F (752° C). These excessive temperatures generate heat checks (fine cracks) on the surface finish that may propagate through impact and initiate Piston failure. Improper oil selection may result in decarburization, which greatly reduces the tensile strength of the material allowing fractures to initiate.

The minimum amount of rock drill oil required for the operation of all ROK Series and ROK T Series DTH hammers is 0.2 l/hr per 3.0 m3/min (1/3 pint/hr per 100 cfm).

Pneumatic rock drill oils are the only acceptable lubricants for DTH hammers. In ambient temperatures of 80° Fahrenheit (27° Celsius) or higher, use SAE 50 rock drill oil.

Several acceptable rock drill oils are listed below:

	Medium SAE 30	Heavy SAE 50
Exxon	Aroc 150	Aroc 302
Shell	Torcula 150	Torcula 320
Texaco	Rock Drill Lube 100	Rock Drill Lube 320
Chevron	Vistac 150	Vistac 320
Rockmore	Hammer Guard ( <b>Recommended</b> ) *	

*\* Rockmore's Hammer Guard Rock Drill Oil is an environmentally safe vegetable oil based rock drill lubricant. It has a special filming additive that prevents piston galling and reduces heat buildup.*



### **3.2 – Contamination**

Contamination is another common cause of DTH hammer and bit failures. Be sure to keep all connections covered and clean at all times. It is a good idea when connecting a hammer to a drill string to cover the connection to the hammer and blow high-pressure air and water through the drill string for several seconds to remove any loose scale, rust or other foreign material. When installing a bit in the hammer, take care to remove any cuttings or foreign material from the bit shank.

### **3.3 – Corrosion**

Corrosion is another common cause of DTH hammer and bit failures. Corrosion is the deterioration of a material due to a reaction with its environment. The best preventative action against corrosion is to keep the DTH hammer well lubricated with rock drill oil. In addition, when finished drilling with foam/polymers, it is necessary to rinse all drilling tools with fresh clean water and lubricate them properly. Prolonged exposure to the atmosphere creates a corrosive reaction between the steel and the foam.

The most detrimental type of corrosion encountered in DTH hammers is oxidation cavitation (finite notches in the material surfaces). The easiest areas for this condition to exist are in the non-moving areas of the hammer. For example, thread roots and O-ring grooves are common places to find oxidation cavitation.

## **4. SERVICING:**

### **4.1 – Disassembly**

The ROK and ROK T hammers use right-hand threads.

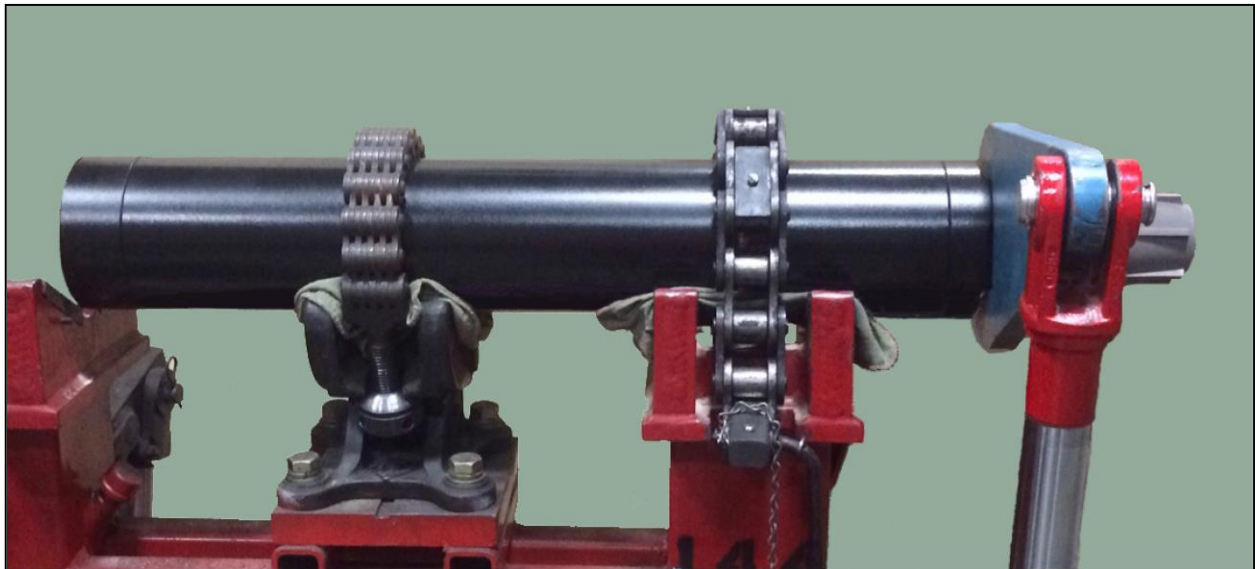
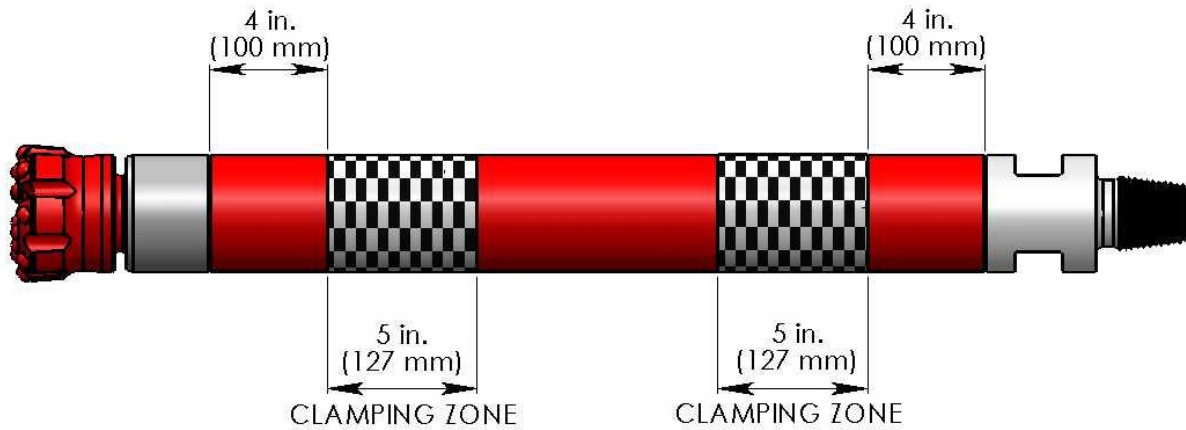
Use tools appropriate for removing the Driver Sub and the Top Sub from the Wear Sleeve of the ROK and ROK T hammers. Do not hit the hammer or apply excessive force with improper tools as this could initiate cracks, reduce operating life, and mostly importantly would void any warranty. Do not apply heat to the hammer.





## 4.2 – Clamp Zone

When disassembling the hammer, place the clamps of the break-out bench or drill rig in the Clamping Zones. The Clamping Zones are clear of the threads and of the piston bore. Placement of clamps on any other section of the Wear Sleeve can cause severe damage, alter drilling performance, and will void any warranty.



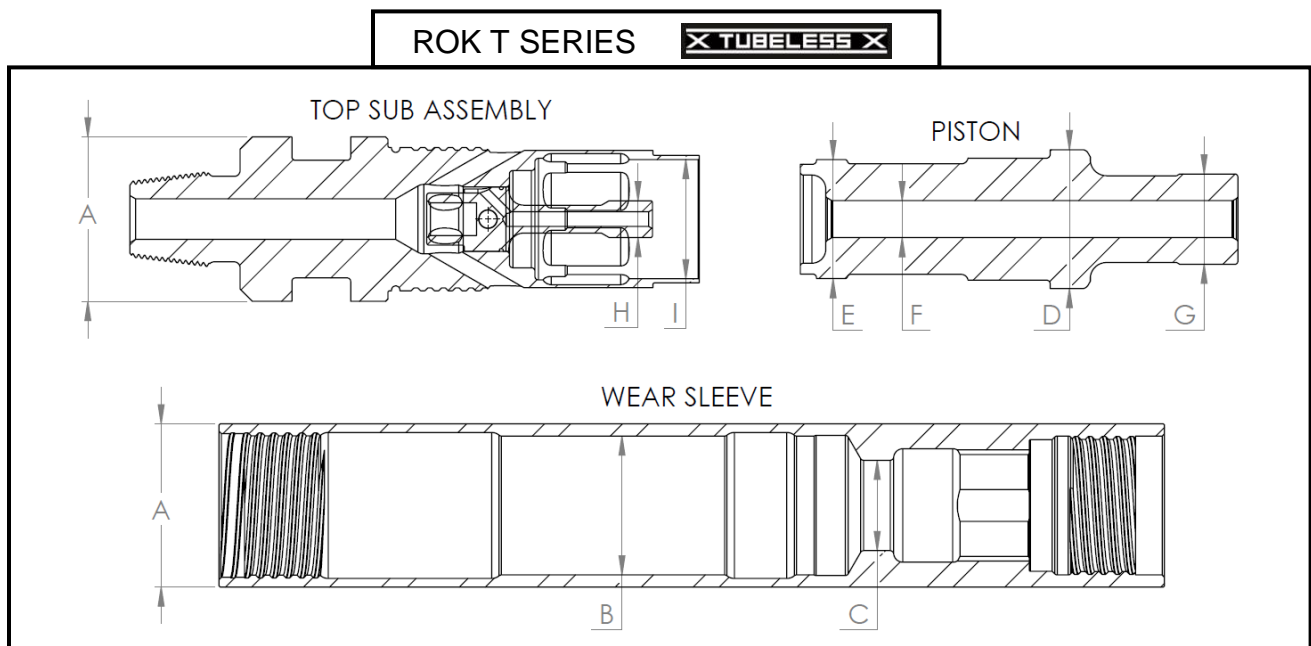
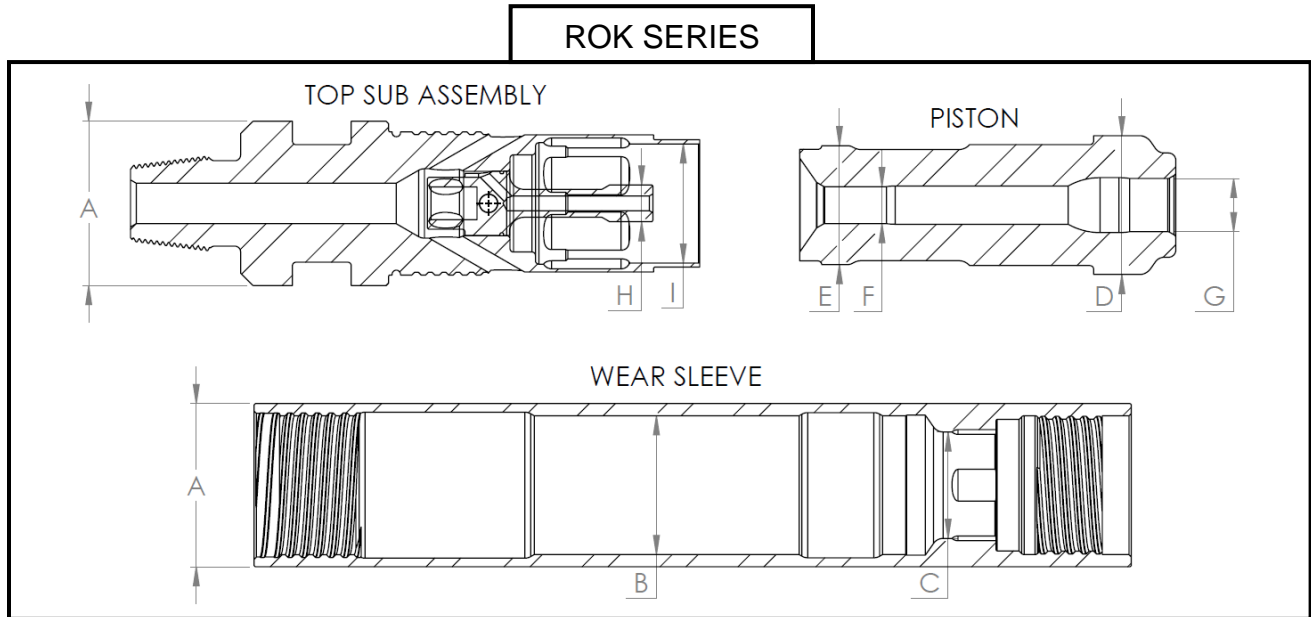
Hammer disassembly in Break-Out Bench



### 4.3 – Routine Inspection

Regularly inspect all parts carefully for any signs of damage – galling, cracks, corrosion. Any sharp edges should be removed from the Piston striking face using emery paper or files. In cases of severe galling or cracking, we strongly recommend replacing the Piston to avoid further damage to the hammer. Galling and cracking can be signs of poor lubrication techniques or contamination. Please refer back to sections 3.1 and 3.2 on lubrication and contamination.

The amount of wear on all major components (Wear Sleeve, Piston, Air Guide, and Top Sub) should be regularly inspected and checked. Please refer to the following Wear Limits diagram and table for recommended discard limits.



## 4.4 – Wear Limits Table

		ROK 250		ROK 300		ROK 350		ROK 400		ROK 550A		ROK 550T		ROK 55A-350R	
		Nominal [in]	Discard Limit [in]	Nominal [in]	Discard Limit [in]	Nominal [in]	Discard Limit [in]	Nominal [in]	Discard Limit [in]	Nominal [in]	Discard Limit [in]	Nominal [in]	Discard Limit [in]	Nominal [in]	Discard Limit [in]
<b>WEAR SLEEVE</b>															
A	Outer Diameter	2.598	2.362	3.071	2.795	3.346	3.071	3.858	3.504	4.921	4.291	4.921	4.291	4.921	4.291
B	Piston Bore	2.091	2.095	2.484	2.488	2.760	2.764	3.197	3.201	3.898	3.904	3.898	3.904	3.898	3.904
C	Bit Guide ID	1.776	1.783	N/A	N/A	N/A	N/A	N/A	N/A	3.012	3.019	2.722	2.727	3.268	3.275
<b>PISTON</b>															
D	Large Outer Diameter	2.087	2.083	2.481	2.477	2.757	2.753	3.193	3.189	3.894	3.890	3.894	3.890	3.894	3.890
E	Small Outer Diameter	1.697	1.693	2.091	2.087	2.365	2.361	2.671	2.667	3.260	3.256	3.260	3.256	3.260	3.256
F	Air guide Bore Diameter	0.630	0.640	0.902	0.912	0.902	0.912	0.902	0.912	1.260	1.267	1.260	1.267	1.260	1.267
G	Blow Tube Bore Diameter	0.837	0.845	0.980	0.988	0.980	0.988	1.073	1.083	1.512	1.522	2.710	2.706	1.388	1.398
<b>AIR GUIDE</b>															
H	Finger Outer Diameter	0.626	0.622	0.892	0.888	0.892	0.888	0.892	0.888	1.252	1.248	1.252	1.248	1.252	1.248
<b>TOP SUB</b>															
I	Piston Bore Inner Diameter	1.701	1.706	2.094	2.099	2.370	2.375	2.677	2.682	3.268	3.273	3.268	3.273	3.268	3.273

(See Wear Limits diagram on page 7)

\* The performance of the hammer is dependent on the amount of wear the critical seal surfaces have. These should be measured and recorded. Depending on the amount of available air, ROK hammer performance can deteriorate before the suggested limits in the Wear Limits Table.



#### 4.4 – Wear Limits Table (continued)

	ROK 55T-350T		ROK 600A		ROK 600T		ROK 60-360		ROK 60T-360T		ROK 60T-MI6		ROK 650A	
	Nominal [in]	Discard Limit [in]	Nominal [in]	Discard Limit [in]	Nominal [in]	Discard Limit [in]	Nominal [in]	Discard Limit [in]	Nominal [in]	Discard Limit [in]	Nominal [in]	Discard Limit [in]	Nominal [in]	Discard Limit [in]
<b>WEAR SLEEVE</b>														
A Outer Diameter	4.921	4.291	5.591	5.118	5.591	5.118	5.591	5.118	5.591	5.118	5.591	5.118	5.858	5.118
B Piston Bore	3.898	3.904	4.724	4.730	4.724	4.730	4.724	4.730	4.724	4.730	4.724	4.730	4.724	4.730
C Bit Guide ID	2.722	2.727	3.622	3.632	3.075	3.080	3.622	3.632	3.075	3.080	3.075	3.080	3.622	3.632
<b>PISTON</b>														
D Large Outer Diameter	3.894	3.890	4.720	4.716	4.720	4.716	4.720	4.716	4.720	4.716	4.720	4.716	4.720	4.716
E Small Outer Diameter	3.260	3.256	4.047	4.043	4.047	4.043	4.047	4.043	4.047	4.043	4.047	4.043	4.047	4.043
F Air guide Bore Diameter	1.260	1.267	1.260	1.267	1.260	1.267	1.260	1.267	1.260	1.267	1.260	1.267	1.260	1.267
G Blow Tube Bore Diameter	2.710	2.706	1.811	1.821	3.065	3.061	1.520	1.530	3.065	3.061	3.065	3.061	1.811	1.821
<b>AIR GUIDE</b>														
H Finger Outer Diameter	1.252	1.248	1.252	1.248	1.252	1.248	1.252	1.248	1.252	1.248	1.252	1.248	1.252	1.248
<b>TOP SUB</b>														
I Piston Bore Inner Diameter	3.268	3.273	4.055	4.060	4.055	4.060	4.055	4.060	4.055	4.060	4.055	4.060	4.055	4.060

(See Wear Limits diagram on page 7)

\* The performance of the hammer is dependent on the amount of wear the critical seal surfaces have. These should be measured and recorded. Depending on the amount of available air, ROK hammer performance can deteriorate before the suggested limits in the Wear Limits Table.



#### 4.4 – Wear Limits Table (continued)

ROK 650M		ROK 650T		ROK 65-360		ROK 65T-360T		ROK 65T-Mi6		ROK 800A		ROK 875A		ROK 87A-380	
Nominal [in]	Discard Limit [in]	Nominal [in]	Discard Limit [in]	Nominal [in]	Discard Limit [in]	Nominal [in]	Discard Limit [in]	Nominal [in]	Discard Limit [in]	Nominal [in]	Discard Limit [in]	Nominal [in]	Discard Limit [in]	Nominal [in]	Discard Limit [in]
<b>WEAR SLEEVE</b>															
A Outer Diameter	5.858	5.118	5.858	5.118	5.858	5.118	5.858	5.118	5.858	7.165	6.890	7.402	6.890	7.402	6.890
B Piston Bore	4.724	4.730	4.724	4.730	4.724	4.730	4.724	4.730	4.724	6.000	6.006	6.000	6.006	6.000	6.006
C Bit Guide ID	3.622	3.632	3.622	3.632	3.622	3.632	3.075	3.080	3.075	4.650	4.662	4.650	4.662	4.650	4.662
<b>PISTON</b>															
D Large Outer Diameter	4.720	4.716	4.720	4.716	4.720	4.716	4.720	4.716	4.720	4.720	4.716	4.720	4.716	4.720	4.716
E Small Outer Diameter	4.047	4.043	4.047	4.043	4.047	4.043	4.047	4.043	4.047	5.995	5.991	5.995	5.991	5.995	5.991
F Air guide Bore Diameter	1.260	1.267	1.260	1.267	1.260	1.267	1.260	1.267	1.260	1.772	1.779	1.772	1.779	1.772	1.779
G Blow Tube Bore Diameter	1.811	1.821	1.811	1.821	1.520	1.530	3.065	3.061	3.065	2.142	2.152	2.142	2.152	2.008	2.018
<b>AIR GUIDE</b>															
H Finger Outer Diameter	1.252	1.248	1.252	1.248	1.252	1.248	1.252	1.248	1.252	1.766	1.762	1.766	1.762	1.766	1.762
<b>TOP SUB</b>															
I Piston Bore Inner Diameter	4.055	4.060	4.055	4.060	4.055	4.060	4.055	4.060	4.055	5.197	5.202	5.197	5.202	5.197	5.202

(See Wear Limits diagram on page 7)

\* The performance of the hammer is dependent on the amount of wear the critical seal surfaces have. These should be measured and recorded. Depending on the amount of available air, ROK hammer performance can deteriorate before the suggested limits in the Wear Limits Table.

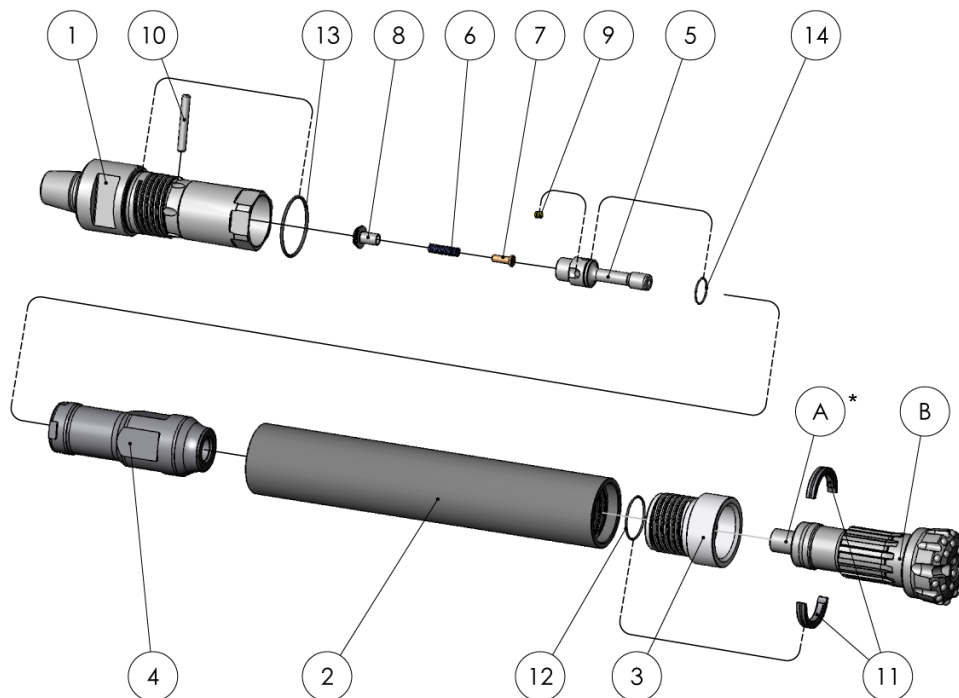


#### 4.5 – Assembly

Remove and polish all galling and burrs with emery paper. Particularly during the replacement of broken components, extra care must be taken to be certain that the mating surfaces were not damaged.

Carefully lubricate all internal hammer parts again with rock drill oil and coat threads with thread grease prior to reassembly. Use a soft-headed hammer tool to carefully tap components together to ensure proper alignment. Never use excessive force.

#### 5. ROK SERIES & ROK T SERIES HAMMER PARTS LIST:



Item Number	Part Name	Item Number	Part Name
1	Top Sub	9	Choke
2	Wear Sleeve	10	Pin
3	Driver Sub	11	Bit Retainer
4	Piston	12	O-ring (Bit Retainer)
5	Air Guide	13	O-ring (Top Sub)
6	Spring	14	O-ring (Air Guide)
7	Spring Rest	A	Blow Tube *
8	Check Valve	B	DTH Bit

\* ONLY used in ROK Series hammers, not in ROK T Series hammers.



## 6. ROK SERIES & ROK T SERIES HAMMER TECHNICAL DATA TABLE:

	X-TUBELESS X					X-TUBELESS X				
	ROK 250	ROK 300	ROK 350	ROK 400	ROK 550A	ROK 550T	ROK 55A-350R	ROK 55T-350RT		
<b>Operating Parameters</b>										
Working pressure, Bar	6 to 28	6 to 28	6 to 28	6 to 28	6 to 28	6 to 28	6 to 28	6 to 28	6 to 28	6 to 28
Working pressure, [PSI]	87 to 406	87 to 406	87 to 406	87 to 406	87 to 406	87 to 406	87 to 406	87 to 406	87 to 406	87 to 406
Air Consumption - m <sup>3</sup> /min										
10.4 bar [150 PSI]	1.6	4.1	4.9	5.8	5.5	7.3	5.5	7.3	5.5	7.3
17.2 bar [250 PSI]	4.3	5.6	8.5	10.4	14.4	16.6	14.4	16.6	14.4	16.6
24.1 bar [350 PSI]	6.7	9	12.3	15.3	23.7	25.2	23.7	25.2	23.7	25.2
Air Consumption - SCFM										
10.4 bar [150 PSI]	55	145	178	210	193	259	193	259	193	259
17.2 bar [250 PSI]	151	199	309	378	508	587	508	587	508	587
24.1 bar [350 PSI]	235	318	448	556	837	890	837	890	837	890
Recommended rotation speed, r/min	35 to 95	35 to 95	35 to 95	25 to 80	20 to 70	20 to 70	20 to 70	20 to 70	20 to 70	20 to 70
Minimum diameter difference between wear sleeve and bit, mm	10	10	10	10	10	10	10	10	10	10
Minimum diameter difference between wear sleeve and bit, [in]	0.39	0.39	0.39	0.39	0.39	0.39	0.39	0.39	0.39	0.39
<b>Technical Specifications</b>										
Bit shank	RM250	IR 3.5	IR 3.5	IR 3.5	IR 3.5	IR 3.5	IR 3.5	IR 3.5	IR 3.5	IR 3.5
Recommended bit size, mm	76 to 89	88 to 105	95 to 105	110 to 125	140 to 152	140 to 152	140 to 152	140 to 152	140 to 152	140 to 152
Recommended bit size, [in]	3.0 to 3.5	3.5 to 4.1	3.7 to 4.1	4.3 to 4.9	5.5 to 6.0	5.5 to 6.0	5.5 to 6.0	5.5 to 6.0	5.5 to 6.0	5.5 to 6.0
Outside diameter, mm	66	78	85	98	125	125	125	125	125	125
Outside diameter, [in]	2.6	3.1	3.3	3.9	4.9	4.9	4.9	4.9	4.9	4.9
Wear Limit Outside Diameter, mm	60	71	78	89	109	109	109	109	109	109
Wear Limit Outside Diameter, [in]	2.4	2.8	3.1	3.5	4.3	4.3	4.3	4.3	4.3	4.3
Wrench flat on top sub, mm	48	64	64	64	89	89	89	89	89	89
Wrench flat on top sub, [in]	1.875	2.5	2.5	2.5	3.5	3.5	3.5	3.5	3.5	3.5
Total Length without drill bit, mm *	787	818	904	899	1016	1049	1041	1041	1041	1069
Total Length without drill bit, [in] *	31.0	32.2	35.6	35.4	40.0	41.3	41.0	41.0	41.0	42.1
Effective Length, mm *	787	742	828	823	919	953	940	940	940	975
Effective Length, [in] *	31.0	29.2	32.6	32.4	36.2	37.5	37.0	37.0	37.0	38.4
Weight without drill bit, kg *	13.7	20.9	24.4	32.1	60.3	64.9	62.8	62.8	62.8	65.8
Weight without drill bit, [lbs] *	30.2	46.0	53.8	70.8	132.9	143.0	138.5	138.5	138.5	145.0
Piston diameter, mm	53	63	70	81	99	99	99	99	99	99
Piston diameter, [in]	2.1	2.5	2.8	3.2	3.9	3.9	3.9	3.9	3.9	3.9

\* Lengths and weights may vary, depending on DTH hammer design purchased.



## 6. ROK SERIES & ROK T SERIES HAMMER TECHNICAL DATA TABLE: (CONTINUED)

	X TUBELESS X		X TUBELESS X		X TUBELESS X		X TUBELESS X	
	ROK 600A	ROK 600T	ROK 60-360	ROK 60T-360T	ROK 60T-Mi6	ROK 650A	ROK 650M	ROK 650T
<b>Operating Parameters</b>								
Working pressure, Bar	6 to 28 87 to 406	6 to 28 87 to 406	6 to 28 87 to 406	6 to 28 87 to 406	6 to 28 87 to 406	6 to 28 87 to 406	6 to 28 87 to 406	6 to 28 87 to 406
Working pressure, [PSI]								
Air Consumption - m <sup>3</sup> /min								
10.4 bar [150 PSI]	7.4	8.6	7.4	8.6	8.6	7.4	7.4	8.6
17.2 bar [250 PSI]	16.7	19.5	15.8	19.5	19.5	16.7	16.7	19.5
24.1 bar [350 PSI]	26.5	32.4	24.9	32.4	32.4	26.5	26.5	32.4
<b>Air Consumption - SCFM</b>								
10.4 bar [150 PSI]	269	305	268	305	305	269	269	305
17.2 bar [250 PSI]	606	689	575	689	689	606	606	689
24.1 bar [350 PSI]	962	1145	905	1145	1145	962	962	1145
Recommended rotation speed, r/min	15 to 60	15 to 60	15 to 60	15 to 60	15 to 60	15 to 60	15 to 60	15 to 60
Minimum diameter difference between wear sleeve and bit, mm	12	12	12	12	12	12	12	12
Minimum diameter difference between wear sleeve and bit, [in]	0.47	0.47	0.47	0.47	0.47	0.47	0.47	0.47
<b>Technical Specifications</b>								
Bit shank	QL6/QL60	QL6/QL60/QL6T	360	360/360T	Mi6/60	QL6/QL60	QL6/QL60	QL6/QL60/QL6T
Recommended bit size, mm	155 to 178	155 to 178	155 to 178	155 to 178	155 to 178	165 to 178	165 to 178	165 to 178
Recommended bit size, [in]	6.1 to 7.0	6.1 to 7.0	6.1 to 7.0	6.1 to 7.0	6.1 to 7.0	6.5 to 7.0	6.5 to 7.0	6.5 to 7.0
Outside diameter, mm	142	142	142	142	142	149	149	149
Outside diameter, [in]	5.6	5.6	5.6	5.6	5.6	5.9	5.9	5.9
Wear Limit Outside Diameter, mm	130	130	130	130	130	130	130	130
Wear Limit Outside Diameter, [in]	5.1	5.1	5.1	5.1	5.1	5.1	5.1	5.1
Wrench flat on top sub, mm	95	95	95	95	95	95	95	95
Wrench flat on top sub, [in]	3.74	3.74	3.74	3.74	3.74	3.74	3.74	3.74
Total Length without drill bit, mm *	1039	1097	1092	1151	1072	1039	1039	1097
Total Length without drill bit, [in] *	40.9	43.2	43.0	45.3	42.2	40.9	40.9	43.2
Effective Length, mm *	942	1001	996	1057	977	942	942	1001
Effective Length, [in] *	37.1	39.4	39.2	41.6	38.5	37.1	37.1	39.4
Weight without drill bit, kg *	76	81	84	86	81	88	88	95
Weight without drill bit, [lbs] *	168.0	178.6	185.0	190.0	179.1	194.0	194.0	209.4
Piston diameter, mm	120	120	120	120	120	120	120	120
Piston diameter, [in]	4.7	4.7	4.7	4.7	4.7	4.7	4.7	4.7

\* Lengths and weights may vary, depending on DTH hammer design purchased.





## 6. ROK SERIES & ROK T SERIES HAMMER TECHNICAL DATA TABLE: (CONTINUED)

	ROK 65-360		ROK 65T-360T		ROK 65T-MI6		ROK 800A		ROK 875A		ROK 87A-380	
<b>Operating Parameters</b>												
Working pressure, Bar	6 to 28		6 to 28		6 to 28		6 to 28		6 to 28		6 to 28	
Working pressure, [PSI]	87 to 406		87 to 406		87 to 406		87 to 406		87 to 406		87 to 406	
Air Consumption - m <sup>3</sup> /min												
10.4 bar [150 PSI]	7.4		8.6		8.6		7.2		7.2		7.2	
17.2 bar [250 PSI]	15.8		19.5		19.5		19.5		19.5		19.5	
24.1 bar [350 PSI]	24.9		32.4		32.4		33.7		33.7		33.7	
Air Consumption - SCFM												
10.4 bar [150 PSI]	268		305		305		256		256		256	
17.2 bar [250 PSI]	575		689		689		689		689		689	
24.1 bar [350 PSI]	905		1145		1145		1189		1189		1189	
Recommended rotation speed, r/min	15 to 60		15 to 60		15 to 60		14 to 50		14 to 50		14 to 50	
Minimum diameter difference between wear sleeve and bit, mm	12		12		12		12		12		12	
Minimum diameter difference between wear sleeve and bit, [in]	0.47		0.47		0.47		0.47		0.47		0.47	
<b>Technical Specifications</b>												
Bit shank	360		360/360T		MI6/60		QL8/QL80		QL8/QL80		QL8/QL80	
Recommended bit size, mm	165 to 178		165 to 178		165 to 178		200 to 254		215 to 254		215 to 254	
Recommended bit size, [in]	6.5 to 7.0		6.5 to 7.0		6.5 to 7.0		7.9 to 10.0		8.5 to 10.0		8.5 to 10.0	
Outside diameter, mm	149		149		149		183		188		188	
Outside diameter, [in]	5.9		5.9		5.9		7.2		7.4		7.4	
Wear Limit Outside Diameter, mm	130		130		130		175		175		175	
Wear Limit Outside Diameter, [in]	5.1		5.1		5.1		6.9		6.9		6.9	
Wrench flat on top sub, mm	95		95		95		124		124		124	
Wrench flat on top sub, [in]	3.74		3.74		3.74		4.9		4.9		4.9	
Total Length without drill bit, mm *	1092		1151		1072		1285		1285		1303	
Total Length without drill bit, [in] *	43.0		45.3		42.2		50.6		50.6		51.3	
Effective Length, mm *	996		1057		977		1176		1176		1194	
Effective Length, [in] *	39.2		41.6		38.5		46.3		46.3		47.0	
Weight without drill bit, kg *	95		100		94		153		177		181	
Weight without drill bit, [lbs] *	208.6		220.6		207.1		336.6		391.0		398.0	
Piston diameter, mm	120		120		120		152		152		152	
Piston diameter, [in]	4.7		4.7		4.7		6.0		6.0		6.0	

\* Lengths and weights may vary, depending on DTH hammer design purchased.



## **7. SAFETY:**

The percussive hammer drilling environment poses many opportunities for injury for the careless and unprepared. Be sure to work safely at all times. Rotating equipment can entangle loose clothing. Loud noises accompany the hammer operation and high-pressure air can throw dust and debris. Protect your sight and hearing with appropriate safety equipment. Keep your hands and feet clear of the borehole at all times. Keep fingers from getting trapped between the hammer and the bit.

## **8. WARRANTY:**

ROCKMORE guarantees all ROK Series and ROK T Series Hammers and spare parts to be free of raw material and manufacturing defects. Warranty coverage is valid for six months after date of shipment.

In order to be eligible for warranty service, you must first file a claim and obtain a Returned Goods Authorization number, authorizing you to return the goods to our facility. All goods returned to us, either new or used must be returned prepaid freight. Please contact your local salesman or the appropriate office directly for more information.

ROCKMORE reserves the right to refuse claims associated with the following problems:

- Damage caused by applying excessive force to any components of the hammer
- The use of non-original ROCKMORE hammer parts
- Any attempt to physically altering any components of the hammer, in particular but not limited to the application of heat or weld
- Failure to follow recommended operating and maintenance procedures (i.e. lubrication, contamination, corrosion, clamp zone)
- Failures due to abuse, misuse, careless maintenance, and repairs
- Common wear and tear during normal drilling procedures

The recommended maximum operating air pressure level for our ROK Series and ROK T Series hammers is 350 PSI (24.1 Bar). Although the ROK Series and ROK T Series Hammers can handle air pressures more than this level, operating pressures above 350 PSI will invalidate the warranty.

### **Liability**

ROCKMORE shall not be liable for any claims that occur from personal injury due to negligent procedures, handling, operation, and/or maintenance of ROCKMORE DTH hammers and bits. ROCKMORE will decline any liability for failure to disregard recommended health and safety measures, i.e. protective eye wear and clothing, safety glasses, etc.



# MARTILLOS DE FONDO DE LA SERIE ROK Y SERIE ROK T

## MANUAL DE OPERACIÓN Y SERVICIO

TABLA DE CONTENIDO .....	PAGINA
1 – Introducción.....	1
1.1 – Martillo DTH Serie ROK T de alto rendimiento .....	2
2 – Operación.....	3
2.1 – Inspección Inicial del Martillo .....	3
2.2 – Comenzando a Trabaja Con le Martillos ROK y ROK T .....	3
2.3 – Ajuste del Sistema de Estrangulación .....	4
3 – Mantenimiento del Martillo .....	5
3.1 – Lubricación .....	5
3.2 – Contaminación.....	5
3.3 – Corrosión.....	6
4 – Servicio .....	6
4.1 – Despiezado.....	6
4.2 – Zona de Agarre.....	7
4.3 – Inspección Rutinaria .....	7
4.4 – Tabla de Limites de Desgaste .....	9
4.5 – Ensamblaje.....	12
5 – Lista de Repuestos de los Martillos de la Serie ROK y Serie ROK T.....	12
6 – Tabla de Especificaciones Técnicas de los Martillos de la Serie ROK y Serie ROK T .....	13
7 – Normas de Seguridad .....	16
8 – Condiciones de la Garantía .....	16

**Rockmore International, Inc.**  
 10065 SW Commerce Circle  
 Wilsonville, OR 97070  
 USA

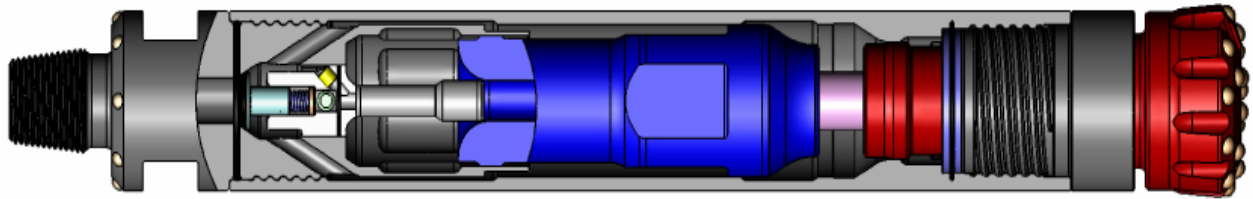
Phone: +1-503-682-1001  
 Fax: +1-503-682-1002  
 Email: [info@rockmore-intl.com](mailto:info@rockmore-intl.com)

**Rockmore International GmbH**  
 Collini – Strasse 2  
 A-8750 Judenburg  
 Austria

Phone: +43 3572 86 300-0  
 Fax: +43 3572 84 179  
 Email: [austria@rockmore-intl.at](mailto:austria@rockmore-intl.at)

[www.rockmore-intl.com](http://www.rockmore-intl.com)

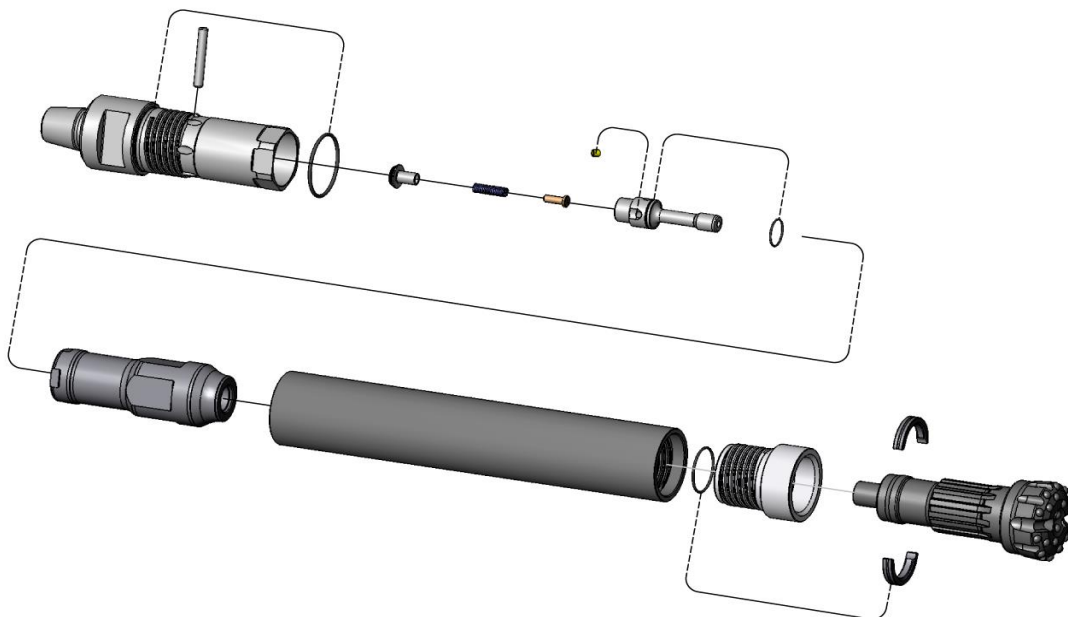




## **1. INTRODUCCIÓN:**

Martillos de Fondo de Alto Rendimiento de la Serie ROK y Serie ROK T

Una optima transferencia de energía es esencial en la eficacia de la perforación con martillos de fondo – cuanto potencia del aire comprimido es transmitido a la broca. Esta es la razón por la cual hemos revolucionado el manejo del flujo de aire en la nueva Serie ROK y Serie ROK T de martillos de fondo de alto rendimiento. Nuestra tecnología patentada SonicFlow minimiza las contra-presiones y turbulencias, permitiendo al Pistón golpear la broca con mayor fuerza y frecuencia de impacto. Esto se traduce en mayor eficiencia, poder y velocidad de penetración. Este diseño involucra menos partes y por tanto un mantenimiento fácil. Para mayor productividad este listo para ROK!

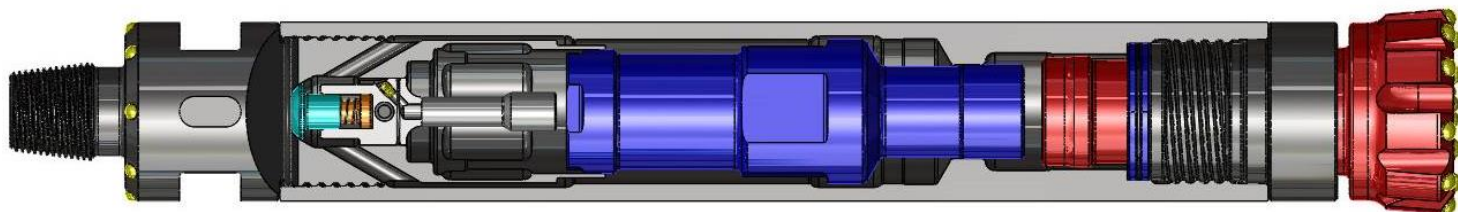


## 1.1 – Martillo DTH Serie ROK T de alto rendimiento

También los mismos beneficios de los martillos de la Serie ROK se han incorporado a nuestros martillos Serie ROK T. Los martillos DTH de altas prestaciones de la Serie ROK T han eliminado la necesidad de la válvula de pie de plástico utilizando los mismos culatíns y manteniendo rendimientos superiores. (La válvula de pie debe ser retirada de la broca DTH y **no puede ser cortada o rota.**)



No utilice la válvulas de pie de plástico con los martillos Serie ROK T. Las válvulas de pie deben ser retiradas de la broca DTH. **No pueden ser cortadas o rotas.** Falta de hacerlo puede dañar el martillo y anulará todas las garantías.



## **2. OPERACIÓN:**

### **2.1 – Inspección Inicial del Martillo**

Todos los martillos ROK y ROK T son probados en la fabrica a fin de garantizar que el equipo funciona correctamente al momento de ser despachado. Al momento de recibirlo, inspeccione el contenido de la caja a fin de asegurar que ha ordenado el martillo correcto de la serie ROK o serie ROK T.

- Favor tomar nota del numero de serie estampado en las ranuras del Top Sub. Para cualquier asunto relacionado con el servicio o garantía del martillo, se requerirá este numero de serie a fin de comenzar cualquier tipo de procedimiento o reclamo con el distribuidor o con la fabrica.



### **2.2 – Comenzando a Trabaja Con le Martillos ROK y ROK T**

Recomendamos el uso de brocas DTH en buenas condiciones. Evitar el uso de brocas DTH que han excedido su vida útil pues esto influirá en la velocidad de penetración así como en el desgaste prematuro en varios de los componentes del martillo de fondo. (Cuando se utiliza un martillo **ROK T** es importante **retirar** la válvula de pie. No se recomienda cortar la válvula de pie y eso puede causar daños en el martillo y por lo menos reducir su rendimiento.)

Inspeccionar las roscas en las tuberías de perforación y del ROCKMORE Top Sub del martillo de fondo para asegurar que se ajustan correctamente entre ambos componentes. Aplicar grasa de perforación a las roscas antes de colocar el martillo de fondo en las tuberías a fin de evitar la corrosión y el desgaste por fricción en esta área. Mientras se esta colocando el martillo de fondo en las tuberías, cuidar que la grasa y las roscas no se contaminen con suciedad, polvo o escombros. Este tipo de contaminación pueden debilitar las conexiones y por tanto alterar el rendimiento de la perforación.

Es importante aplicar grasa de perforación en las roscas Top Sub y Porta Broca a fin de facilitar el despiece del martillo de fondo. La grasa de perforación debe ser aplicada a las roscas del Porta Brocas con cada cambio de broca. Rockmore sugiere, además, que la Top Sub y el Porta Brocas sea apretados a 750-1000 libras por cada pulgada de diámetro de martillo (40.5 – 54 N-m por mm). Ver zonas abrazaderas en la página 6 antes de proceder.

Nuestros martillos de fondo son almacenados y despachados con un adecuado suministro de aceite. Antes de poner en marcha el martillo es crucial agregar aceite para perforadoras a través del Top Sub. Cuando se agrega aceite el martillo de fondo debe ser sostenido en posición vertical y hacia arriba a fin de permitir la adecuada lubricación de todos sus componentes internos. Favor ver la referencia en la sección 3.1 concerniente a las cantidades mínimas de aceite para perforadoras requeridas para todos los martillos de fondo de la serie ROK y serie ROK T.



## 2.2 – Comenzando a Trabaja con le Martillos ROK y ROK T (continuacion)

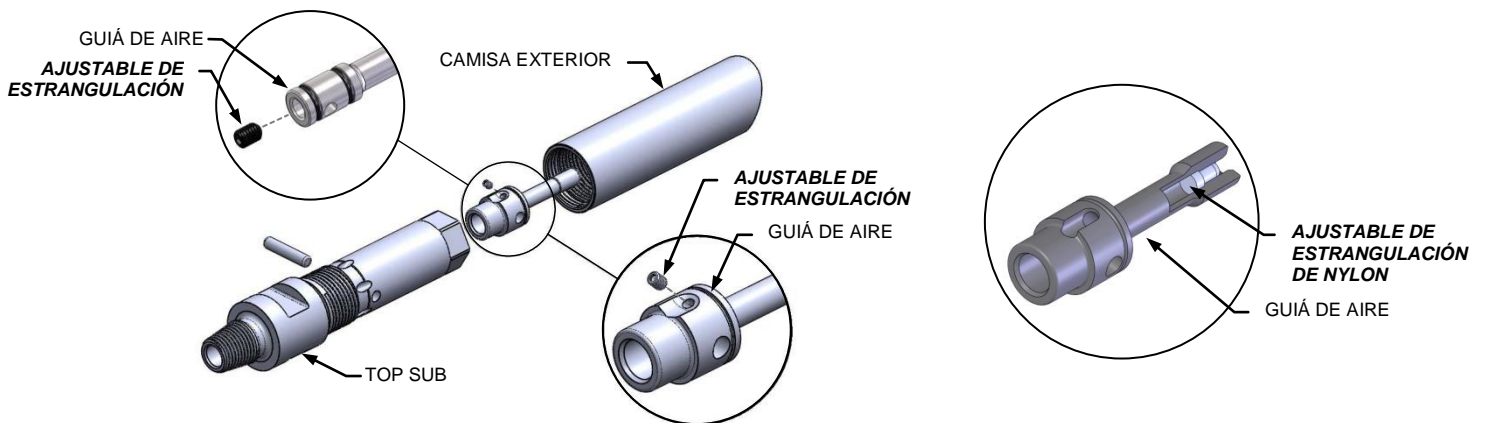
El mecanismo de percusión comienza a operar en el momento en que el suministro de aire comprimido es conectado y la broca es empujada firmemente contra el interior del martillo de fondo. Exceso de presión no es necesario para iniciar la operación del martillo de fondo. Rotar el martillo de fondo en dirección de las manecillas del reloj a una velocidad aproximada de 30 RPM. La broca DTH ahora sera empujada dentro del Porta Broca o Driver Sub activando el mecanismo de percusión. Cuando el martillo de fondo es levantado y pierde contacto con la cara de la roca, la broca DTH desciende fuera del Porta Broca o Driver Sub y el mecanismo de percusión se detiene. Extra cantidad de aire pasa a través del martillo de fondo el cual puede ser usado para limpiar el barreno. Ajustando el caudal y presión de aire, la fuerza de avance y la velocidad de rotación se puede obtener una optima velocidad de penetración y productividad.

La velocidad de rotación deberá ser seleccionada de acuerdo con las condiciones de perforación y la capacidad del equipo de perforación. Favor notar que una excesiva velocidad de perforación puede resultar en un desgaste prematuro de la broca DTH y no se reflejará necesariamente en una mayor velocidad de penetración.

## 2.3 – Ajuste del Sistema de Estrangulación

Nuestros martillos de fondo de la serie ROK y serie ROK T vienen equipados con un sistema ajustable de Estrangulación que permite regular el volumen de aire usado para alimentar el Pistón. Después de desacoplar el Top Sub, remover la Guía de Aire (Air Guide) a fin de acceder al Estrangulador (Choke).

En el Estranguladores de acero o nylon, pueden ser perforados orificios de diferentes tamaños. Un orificio mayor disminuirá el nivel de potencia del martillo de fondo permitiendo el exceso de aire ser utilizado para remover los detritos y el agua del barreno. El máximo orificio recomendado a ser perforado en el Estrangulador es de 5 milímetros (0.19 pulgadas). En algunos casos se puede completamente quitar el estrangulador para permitir el máximo pasaje de aire.



### **3. MANTENIMIENTO DEL MARTILLO:**

#### **3.1 – Lubricación**

Una apropiada lubricación es necesaria para lograr una efectiva y eficiente operación de perforación. Una inadecuada cantidad de lubricación podría dañar el martillo de fondo resultando en la falla prematura del mismo. Una cantidad insuficiente de lubricación causa que el Pistón del martillo de fondo pueda exceder los 752 grados Centígrados de temperatura (1400 grados Fahrenheit). Este exceso de temperatura genera grietas en la superficie terminada del Pistón, que se propagan debido a los golpes del Pistón, ocasionando su rotura. La selección de un aceite de lubricación inadecuado puede resultar en la descarburización, del material del Pistón, reduciendo en gran medida su resistencia a los esfuerzos de tensión y causando su rotura prematura.

La cantidad **mínima** de aceite de lubricación para perforadoras requerido en la operación de los martillos de fondo de la serie ROK y serie ROK T es 0.2 l/hr por 3.0 m<sup>3</sup>/min (1/3 pint/hr por 100 cfm).

Aceite para perforadoras neumáticas es el único lubricante aceptable para los martillos de fondo. A una temperatura ambiente de 27 grados Centígrados (80 grados Fahrenheit) o superior, utilice aceite para perforadoras neumáticas SAE 50.

Alguno de los aceites para perforadoras neumáticas aceptables se listan a continuación:

	Medio SAE 30	Pesado SAE 50
Exxon	Aroc 150	Aroc 302
Shell	Torcula 150	Torcula 320
Texaco	Rock Drill Lube 100	Rock Drill Lube 320
Chevron	Vistac 150	Vistac 320
Rockmore	Hammer Guard ( <b>Recomendado</b> ) *	

**\* El “Hammer Guard Rock Drill Aceite” de Rockmore es un aceite lubricante a base vegetal ecológico y seguro. Cuenta con un aditivo especial que impide el gripaje del pistón y reduce la acumulación de calor.**

#### **3.2 – Contaminación**

La contaminación es otra de las causas mas comunes de fallas prematuras en los martillos de fondos y sus brocas. Asegurarse siempre de proteger cubriendo y manteniendo limpias todas las conexiones. Es recomendable cuando se esta conectando el martillo de fondo en el tren de perforación de cubrir la conexión al martillo de fondo y soplar aire comprimido y agua a través del tren de perforación por algunos segundos a fin de remover cualquier residuo metálico, oxido o algún otro material extraño. Cuando se instale la broca al martillo asegurarse de remover cualquier detrito o material extraño que pueda estar presente en la culata o shank de la broca.





### **3.3 – Corrosión**

La corrosión es otra de las causas de fallas prematuras en los martillos de fondos y sus brocas. La corrosión es el deterioro de un material debido a su reacción con el medio ambiente. La mejor acción preventiva contra la corrosión consiste en mantener el martillo de fondo bien lubricado con aceite para perforadoras neumáticas. Adicionalmente cuando se termine de perforar usando espuma/polímeros, es necesario enjuagar todas las herramientas de perforación con agua limpia y lubricarlas adecuadamente. Una prolongada exposición a la atmósfera crea una reacción corrosiva entre el acero y la espuma.

El mayor daño causado por la corrosión en los martillos de fondo es debido a lo que se denomina oxidación por cavitación (muescas presentes en la superficie del material). Esta condición se puede apreciar en las partes fijas (no móviles) del martillo de fondo como por ejemplo las raíces de las roscas y las ranuras de asiento de las Juntas Tóricas (O-ring).

## **4. SERVICIO:**

### **4.1 – Despiezado**

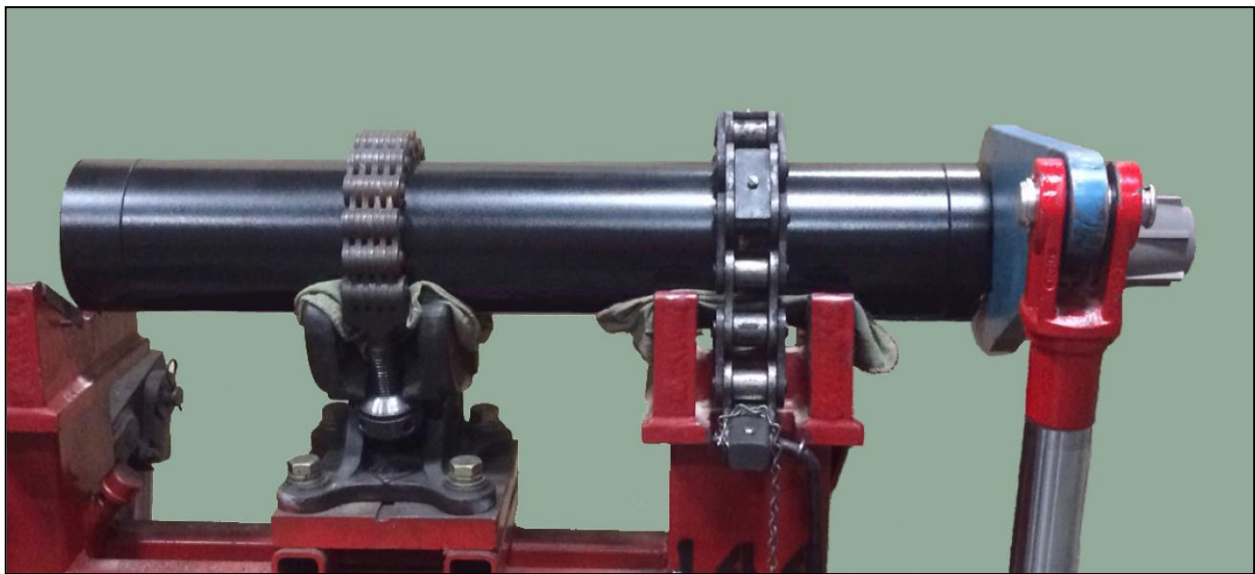
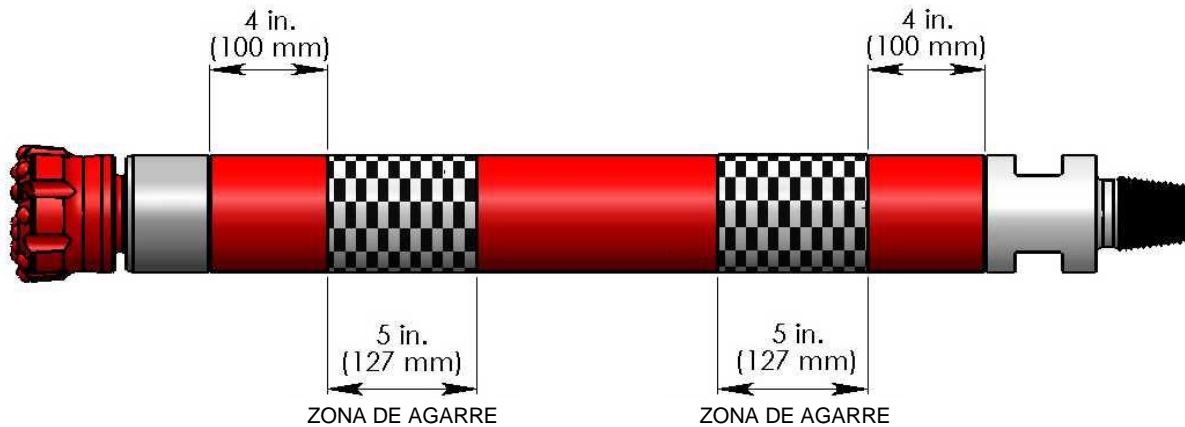
Los martillos de fondo ROK y ROK T usan rosca derecha.

Use las herramientas adecuadas para remover el Porta Broca o Driver Sub y el Top Sub de la Camisa o Wear Sleeve del martillos de fondo ROK y ROK T. Nunca aplicar calor al martillo de fondo. No golpee o aplique una fuerza excesiva al martillo de fondo usando herramientas inadecuadas; esto podría generar grietas en los componentes reduciendo la vida operativa del equipo y lo mas importante dejará sin efecto la garantía del fabricante.



## 4.2 – Zona de Agarre

Al desarmar el martillo, coloque las mordazas de la mesa de trabajo o del equipo de perforación en las zonas abrazaderas. Las zonas abrazaderas están libres de los hilos y del taladro del Pistón. Abrazar las mordazas en cualquier otra sección de la manga del desgaste (Camisa) puede causar daños severos, alterar el rendimiento de perforación y **dejar sin efecto la garantía del fabricante**.



Martillo en desarmado en la mesa de trabajo (Break-Out Bench)

## 4.3 – Inspección Rutinaria

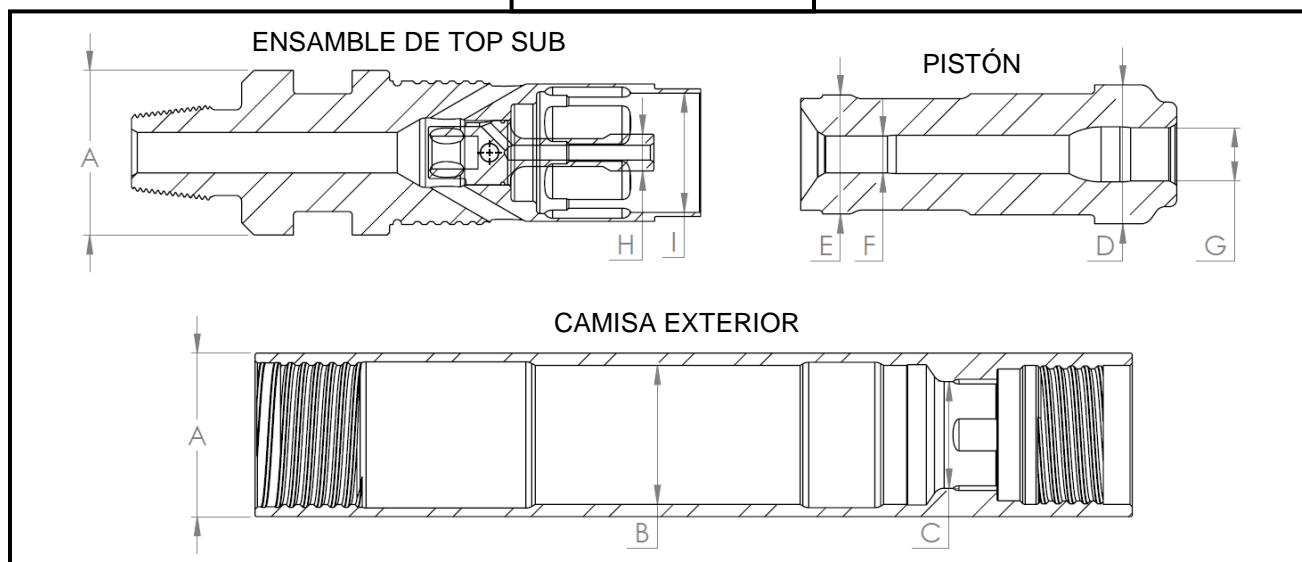
Inspeccione regularmente todas las partes a fin de localizar cualquier signo de daños -perforaciones, grietas y signos de corrosión. Cualquier borde filoso debe ser removido de la superficie de impacto del Pistón usando papel de lija. En presencia de un caso severo de grietas o perforaciones, recomendamos la sustitución del Pistón a fin de evitar mayores daños al martillo de fondo. Perforaciones y grietas pueden ser una señal de pobre lubricación o contaminación. Favor referirse a las secciones 3.1 y 3.2 de este manual relacionadas con a lubricación y contaminación.



### 4.3 – Inspección Rutinaria (continuacion)

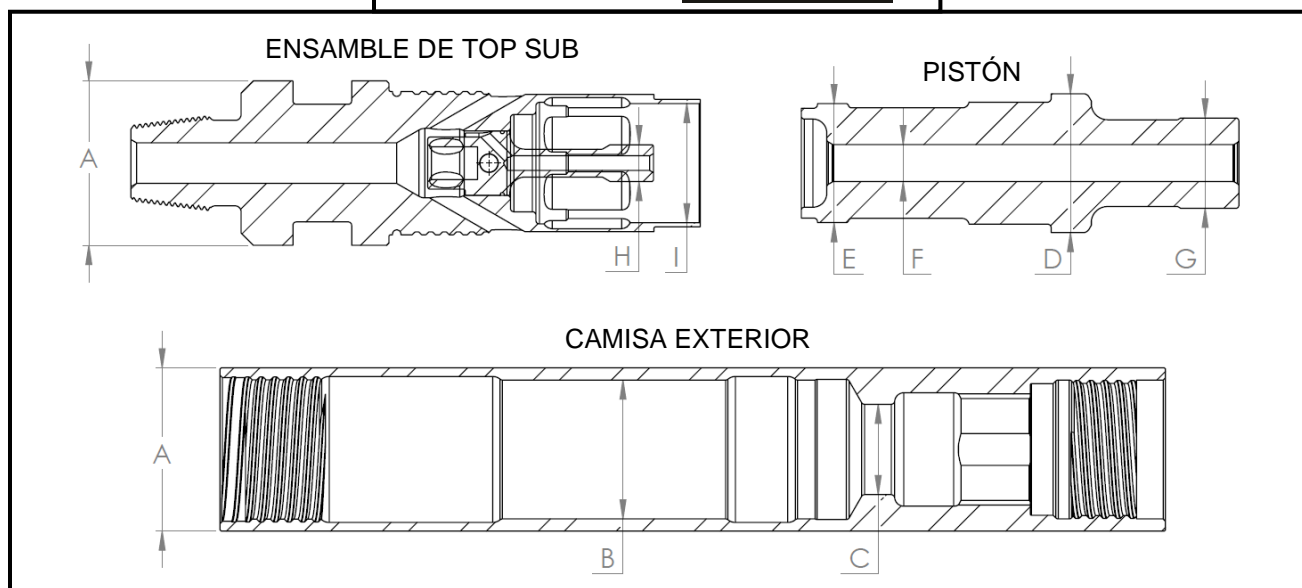
El desgaste en todos los componentes del martillo de fondo (Camisa o Wear Sleeve, Pistón, Guía de Aire o Air Guide y Top Sub) deben ser regularmente inspeccionados y verificados. Favor ver los siguientes diagramas de limites de desgaste y tablas donde se indican los máximos limites de desgaste recomendados antes de descartar las piezas.

#### SERIE ROK



#### SERIE ROK T

X TUBELESS X



## 4.4 – Tabla de Limites de Desgaste

		ROK 250		ROK 300		ROK 350		ROK 400		ROK 550A		ROK 550T		ROK 55A-350R	
		Nominal [in]	Discard Limit [in]	Nominal [in]	Discard Limit [in]	Nominal [in]	Discard Limit [in]	Nominal [in]	Discard Limit [in]	Nominal [in]	Discard Limit [in]	Nominal [in]	Discard Limit [in]	Nominal [in]	Discard Limit [in]
<b>WEAR SLEEVE</b>															
A	Outer Diameter	2.598	2.362	3.071	2.795	3.346	3.071	3.858	3.504	4.921	4.291	4.921	4.291	4.921	4.291
B	Piston Bore	2.091	2.095	2.484	2.488	2.760	2.764	3.197	3.201	3.898	3.904	3.898	3.904	3.898	3.904
C	Bit Guide ID	1.776	1.783	N/A	N/A	N/A	N/A	N/A	N/A	3.012	3.019	2.722	2.727	3.268	3.275
<b>PISTON</b>															
D	Large Outer Diameter	2.087	2.083	2.481	2.477	2.757	2.753	3.193	3.189	3.894	3.890	3.894	3.890	3.894	3.890
E	Small Outer Diameter	1.697	1.693	2.091	2.087	2.365	2.361	2.671	2.667	3.260	3.256	3.260	3.256	3.260	3.256
F	Air guide Bore Diameter	0.630	0.640	0.902	0.912	0.902	0.912	0.902	0.912	1.260	1.267	1.260	1.267	1.260	1.267
G	Blow Tube Bore Diameter	0.837	0.845	0.980	0.988	0.980	0.988	1.073	1.083	1.512	1.522	2.710	2.706	1.388	1.398
<b>AIR GUIDE</b>															
H	Finger Outer Diameter	0.626	0.622	0.892	0.888	0.892	0.888	0.892	0.888	1.252	1.248	1.252	1.248	1.252	1.248
<b>TOP SUB</b>															
I	Piston Bore Inner Diameter	1.701	1.706	2.094	2.099	2.370	2.375	2.677	2.682	3.268	3.273	3.268	3.273	3.268	3.273

(Ver diagrama de limites de desgaste en página 6)

\* El rendimiento del martillo es dependiente de la cantidad de desgaste de las superficies de sellado criticos tienen. Estos deben ser medidos y registrados. Dependiendo de la cantidad de aire disponible, el rendimiento del martillo ROK puede deteriorarse antes de que los limites sugeridos en la Tabla de Limites de Desgaste.



#### 4.4 – Tabla de Limites de Desgaste (continuacion)

	ROK 55T-350T		ROK 600A		ROK 600T		ROK 60-360		ROK 60T-360T		ROK 60T-MI6		ROK 650A	
	Nominal [in]	Discard Limit [in]	Nominal [in]	Discard Limit [in]	Nominal [in]	Discard Limit [in]	Nominal [in]	Discard Limit [in]	Nominal [in]	Discard Limit [in]	Nominal [in]	Discard Limit [in]	Nominal [in]	Discard Limit [in]
<b>WEAR SLEEVE</b>														
A Outer Diameter	4.921	4.291	5.591	5.118	5.591	5.118	5.591	5.118	5.591	5.118	5.591	5.118	5.858	5.118
B Piston Bore	3.898	3.904	4.724	4.730	4.724	4.730	4.724	4.730	4.724	4.730	4.724	4.730	4.724	4.730
C Bit Guide ID	2.722	2.727	3.622	3.632	3.075	3.080	3.622	3.632	3.075	3.080	3.075	3.080	3.622	3.632
<b>PISTON</b>														
D Large Outer Diameter	3.894	3.890	4.720	4.716	4.720	4.716	4.720	4.716	4.720	4.716	4.720	4.716	4.720	4.716
E Small Outer Diameter	3.260	3.256	4.047	4.043	4.047	4.043	4.047	4.043	4.047	4.043	4.047	4.043	4.047	4.043
F Air guide Bore Diameter	1.260	1.267	1.260	1.267	1.260	1.267	1.260	1.267	1.260	1.267	1.260	1.267	1.260	1.267
G Blow Tube Bore Diameter	2.710	2.706	1.811	1.821	3.065	3.061	1.520	1.530	3.065	3.061	3.065	3.061	1.811	1.821
<b>AIR GUIDE</b>														
H Finger Outer Diameter	1.252	1.248	1.252	1.248	1.252	1.248	1.252	1.248	1.252	1.248	1.252	1.248	1.252	1.248
<b>TOP SUB</b>														
I Piston Bore Inner Diameter	3.268	3.273	4.055	4.060	4.055	4.060	4.055	4.060	4.055	4.060	4.055	4.060	4.055	4.060

(Ver diagrama de limites de desgaste en página 6)

\* El rendimiento del martillo es dependiente de la cantidad de desgaste de las superficies de sellado criticos tienen. Estos deben ser medidos y registrados. Dependiendo de la cantidad de aire disponible, el rendimiento del martillo ROK puede deteriorarse antes de que los limites sugeridos en la Tabla de Limites de Desgaste.



#### 4.4 – Tabla de Limites de Desgaste (continuacion)

ROK 650M		ROK 650T		ROK 65-360		ROK 65T-360T		ROK 65T-M16		ROK 800A		ROK 875A		ROK 87A-380	
Nominal [in]	Discard Limit [in]	Nominal [in]	Discard Limit [in]	Nominal [in]	Discard Limit [in]	Nominal [in]	Discard Limit [in]	Nominal [in]	Discard Limit [in]	Nominal [in]	Discard Limit [in]	Nominal [in]	Discard Limit [in]	Nominal [in]	Discard Limit [in]
<b>WEAR SLEEVE</b>															
A Outer Diameter	5.858	5.118	5.858	5.118	5.858	5.118	5.858	5.118	5.858	7.165	6.890	7.402	6.890	7.402	6.890
B Piston Bore	4.724	4.730	4.724	4.730	4.724	4.730	4.724	4.730	4.724	6.000	6.006	6.000	6.006	6.000	6.006
C Bit Guide ID	3.622	3.632	3.622	3.632	3.622	3.632	3.075	3.080	3.075	4.650	4.662	4.650	4.662	4.650	4.662
<b>PISTON</b>															
D Large Outer Diameter	4.720	4.716	4.720	4.716	4.720	4.716	4.720	4.716	4.720	4.720	4.716	4.720	4.716	4.720	4.716
E Small Outer Diameter	4.047	4.043	4.047	4.043	4.047	4.043	4.047	4.043	4.047	5.995	5.991	5.995	5.991	5.995	5.991
F Air guide Bore Diameter	1.260	1.267	1.260	1.267	1.260	1.267	1.260	1.267	1.260	1.772	1.779	1.772	1.779	1.772	1.779
G Blow Tube Bore Diameter	1.811	1.821	3.065	3.061	1.520	1.530	3.065	3.061	3.065	2.142	2.152	2.142	2.152	2.008	2.018
<b>AIR GUIDE</b>															
H Finger Outer Diameter	1.252	1.248	1.252	1.248	1.252	1.248	1.252	1.248	1.252	1.766	1.762	1.766	1.762	1.766	1.762
<b>TOP SUB</b>															
I Piston Bore Inner Diameter	4.055	4.060	4.055	4.060	4.055	4.060	4.055	4.060	4.055	5.197	5.202	5.197	5.202	5.197	5.202

(Ver diagrama de límites de desgaste en página 8)

\* El rendimiento del martillo es dependiente de la cantidad de desgaste de las superficies de sellado críticos tienen. Estos deben ser medidos y registrados. Dependiendo de la cantidad de aire disponible, el rendimiento del martillo ROK puede deteriorarse antes de que los límites sugeridos en la Tabla de Límites de Desgaste.

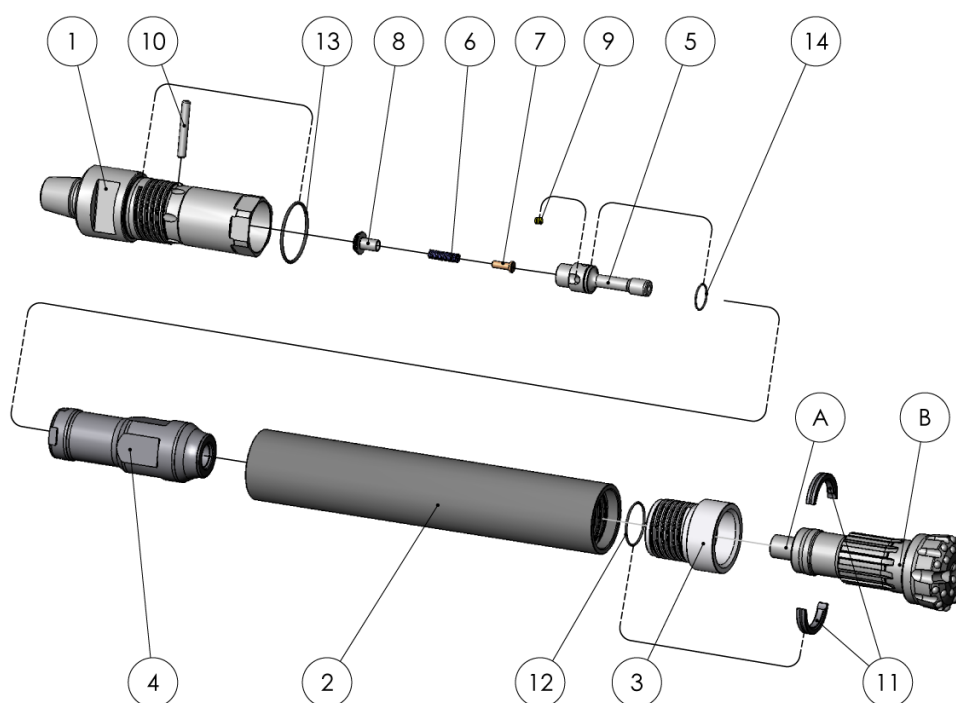


#### 4.5 – Ensamblaje

Remueva y pula toda señal de muescas y rebabas con papel de lija. Durante el reemplazo de piezas dañadas deberá ponerse especial cuidado de asegurarse que las superficies en las uniones se encuentren en perfecto estado sin presencia de daños.

Cuidadosamente lubrique todas las partes internas del martillo de fondo con aceite para perforadoras neumáticas y recubra todas las roscas con grasa antes de comenzar el ensamblaje del martillo de fondo. Use como herramienta un martillo con cabeza suave para suavemente conectar los componentes entre ellos y asegurar el apropiado alineamiento de las piezas. Nunca use una fuerza excesiva.

#### 5. LISTA DE REPUESTOS DE LOS MARTILLOS DE LA SERIE ROK Y SERIE ROK T:



Número de Artículo	Nombre de Parte	Número de Artículo	Nombre de Parte
1	Top Sub	9	Extrangulador
2	Camisa Exterior	10	Pasador
3	Porta Broca	11	Anillos Retenedores
4	Pistón	12	Junta Tórica (Anillos Retenedores)
5	Guía de Aire	13	Junta Tórica (Top Sub)
6	Resorte	14	Junta Tórica (Guía de Aire)
7	Asiento del Resorte	A	Válvula de pie de la Broca *
8	Válvula check	B	Broca DTH

\* SOLO se utiliza en todos los martillos de la Serie ROK pero no en los martillos Serie ROK T.



## 6. TABLA DE ESPECIFICACIONES TÉCNICAS DE LOS MARTILLOS DE LA SERIE ROK Y SERIE ROK T:

	X-TUBELESS X					X-TUBELESS X				
	ROK 250	ROK 300	ROK 350	ROK 400	ROK 550A	ROK 550T	ROK 55A-350R	ROK 55T-350RT		
<b>Operating Parameters</b>										
Working pressure, Bar	6 to 28	6 to 28	6 to 28	6 to 28	6 to 28	6 to 28	6 to 28	6 to 28	6 to 28	6 to 28
Working pressure, [PSI]	87 to 406	87 to 406	87 to 406	87 to 406	87 to 406	87 to 406	87 to 406	87 to 406	87 to 406	87 to 406
Air Consumption - m <sup>3</sup> /min										
10.4 bar [150 PSI]	1.6	4.1	4.9	5.8	5.5	7.3	5.5	7.3	5.5	7.3
17.2 bar [250 PSI]	4.3	5.6	8.5	10.4	14.4	16.6	14.4	16.6	14.4	16.6
24.1 bar [350 PSI]	6.7	9	12.3	15.3	23.7	25.2	23.7	25.2	23.7	25.2
Air Consumption - SCFM										
10.4 bar [150 PSI]	55	145	178	210	193	259	193	259	193	259
17.2 bar [250 PSI]	151	199	309	378	508	587	508	587	508	587
24.1 bar [350 PSI]	235	318	448	556	837	890	837	890	837	890
Recommended rotation speed, r/min	35 to 95	35 to 95	35 to 95	25 to 80	20 to 70	20 to 70	20 to 70	20 to 70	20 to 70	20 to 70
Minimum diameter difference between wear sleeve and bit, mm	10	10	10	10	10	10	10	10	10	10
Minimum diameter difference between wear sleeve and bit, [in]	0.39	0.39	0.39	0.39	0.39	0.39	0.39	0.39	0.39	0.39
<b>Technical Specifications</b>										
Bit shank	RM250	IR 3.5	IR 3.5	340A	QL5/QL50	QL5/QL50/QL5T	350R	350R/350RT	350R	350R/350RT
Recommended bit size, mm	76 to 89	88 to 105	95 to 105	110 to 125	140 to 152	140 to 152	140 to 152	140 to 152	140 to 152	140 to 152
Recommended bit size, [in]	3.0 to 3.5	3.5 to 4.1	3.7 to 4.1	4.3 to 4.9	5.5 to 6.0	5.5 to 6.0	5.5 to 6.0	5.5 to 6.0	5.5 to 6.0	5.5 to 6.0
Outside diameter, mm	66	78	85	98	125	125	125	125	125	125
Outside diameter, [in]	2.6	3.1	3.3	3.9	4.9	4.9	4.9	4.9	4.9	4.9
Wear Limit Outside Diameter, mm	60	71	78	89	109	109	109	109	109	109
Wear Limit Outside Diameter, [in]	2.4	2.8	3.1	3.5	4.3	4.3	4.3	4.3	4.3	4.3
Wrench flat on top sub, mm	48	64	64	64	89	89	89	89	89	89
Wrench flat on top sub, [in]	1.875	2.5	2.5	2.5	3.5	3.5	3.5	3.5	3.5	3.5
Total Length without drill bit, mm *	787	818	904	899	1016	1049	1041	1069	1041	1069
Total Length without drill bit, [in] *	31.0	32.2	35.6	35.4	40.0	41.3	41.0	42.1	41.0	42.1
Effective Length, mm *	787	742	828	823	919	953	940	975	940	975
Effective Length, [in] *	31.0	29.2	32.6	32.4	36.2	37.5	37.0	38.4	37.0	38.4
Weight without drill bit, kg *	13.7	20.9	24.4	32.1	60.3	64.9	62.8	65.8	62.8	65.8
Weight without drill bit, [lbs] *	30.2	46.0	53.8	70.8	132.9	143.0	138.5	145.0	138.5	145.0
Piston diameter, mm	53	63	70	81	99	99	99	99	99	99
Piston diameter, [in]	2.1	2.5	2.8	3.2	3.9	3.9	3.9	3.9	3.9	3.9

\* Las longitudes y pesos pueden variar, dependiendo del diseño del martillo DTH comprado.





## 6. TABLA DE ESPECIFICACIONES TÉCNICAS DE LOS MARTILLOS DE LA SERIE ROK Y SERIE ROK T: (CONTINUACION)

	X TUBELESS X		X TUBELESS X		X TUBELESS X		X TUBELESS X		X TUBELESS X	
	ROK 600A	ROK 600T	ROK 60-360	ROK 60T-360T	ROK 60T-Mi6	ROK 650A	ROK 650M	ROK 650T		
<b>Operating Parameters</b>										
Working pressure, Bar	6 to 28	6 to 28	6 to 28	6 to 28	6 to 28	6 to 28	6 to 28	6 to 28	6 to 28	6 to 28
Working pressure, [PSI]	87 to 406	87 to 406	87 to 406	87 to 406	87 to 406	87 to 406	87 to 406	87 to 406	87 to 406	87 to 406
Air Consumption - m <sup>3</sup> /min										
10.4 bar [150 PSI]	7.4	8.6	7.4	8.6	8.6	7.4	7.4	7.4	7.4	8.6
17.2 bar [250 PSI]	16.7	19.5	15.8	19.5	19.5	16.7	16.7	16.7	16.7	19.5
24.1 bar [350 PSI]	26.5	32.4	24.9	32.4	32.4	26.5	26.5	26.5	26.5	32.4
<b>Air Consumption - SCFM</b>										
10.4 bar [150 PSI]	269	305	268	305	305	269	269	269	269	305
17.2 bar [250 PSI]	606	689	575	689	689	606	606	606	606	689
24.1 bar [350 PSI]	962	1145	905	1145	1145	962	962	962	962	1145
Recommended rotation speed, r/min	15 to 60	15 to 60	15 to 60	15 to 60	15 to 60	15 to 60	15 to 60	15 to 60	15 to 60	15 to 60
Minimum diameter difference between wear sleeve and bit, mm	12	12	12	12	12	12	12	12	12	12
Minimum diameter difference between wear sleeve and bit, [in]	0.47	0.47	0.47	0.47	0.47	0.47	0.47	0.47	0.47	0.47
<b>Technical Specifications</b>										
Bit shank	QL6/QL60	QL6/QL60/QL6T	360	360/360T	Mi6/60	QL6/QL60	QL6/QL60	QL6/QL60	QL6/QL60	QL6/QL60/QL6T
Recommended bit size, mm	155 to 178	155 to 178	155 to 178	155 to 178	155 to 178	165 to 178	165 to 178	165 to 178	165 to 178	165 to 178
Recommended bit size, [in]	6.1 to 7.0	6.1 to 7.0	6.1 to 7.0	6.1 to 7.0	6.1 to 7.0	6.5 to 7.0	6.5 to 7.0	6.5 to 7.0	6.5 to 7.0	6.5 to 7.0
Outside diameter, mm	142	142	142	142	142	149	149	149	149	149
Outside diameter, [in]	5.6	5.6	5.6	5.6	5.6	5.9	5.9	5.9	5.9	5.9
Wear Limit Outside Diameter, mm	130	130	130	130	130	130	130	130	130	130
Wear Limit Outside Diameter, [in]	5.1	5.1	5.1	5.1	5.1	5.1	5.1	5.1	5.1	5.1
Wrench flat on top sub, mm	95	95	95	95	95	95	95	95	95	95
Wrench flat on top sub, [in]	3.74	3.74	3.74	3.74	3.74	3.74	3.74	3.74	3.74	3.74
Total Length without drill bit, mm *	1039	1097	1092	1151	1072	1039	1039	1039	1039	1097
Total Length without drill bit, [in] *	40.9	43.2	43.0	45.3	42.2	40.9	40.9	40.9	40.9	43.2
Effective Length, mm *	942	1001	996	1057	977	942	942	942	942	1001
Effective Length, [in] *	37.1	39.4	39.2	41.6	38.5	37.1	37.1	37.1	37.1	39.4
Weight without drill bit, kg *	76	81	84	86	81	88	88	88	88	95
Weight without drill bit, [lbs] *	168.0	178.6	185.0	190.0	179.1	194.0	194.0	194.0	194.0	209.4
Piston diameter, mm	120	120	120	120	120	120	120	120	120	120
Piston diameter, [in]	4.7	4.7	4.7	4.7	4.7	4.7	4.7	4.7	4.7	4.7

\* Las longitudes y pesos pueden variar, dependiendo del diseño del martillo DTH comprado.



## 6. TABLA DE ESPECIFICACIONES TÉCNICAS DE LOS MARTILLOS DE LA SERIE ROK Y SERIE ROK T: (CONTINUACION)

	ROK 65-360		ROK 65T-360T		ROK 65T-MI6		ROK 800A		ROK 875A		ROK 87A-380	
	6 to 28 87 to 406	6 to 28 87 to 406	6 to 28 87 to 406	6 to 28 87 to 406	6 to 28 87 to 406	6 to 28 87 to 406	6 to 28 87 to 406	6 to 28 87 to 406	6 to 28 87 to 406	6 to 28 87 to 406	6 to 28 87 to 406	6 to 28 87 to 406
<b>Operating Parameters</b>												
Working pressure, Bar	6 to 28		6 to 28		6 to 28		6 to 28		6 to 28		6 to 28	
Working pressure, [PSI]	87 to 406		87 to 406		87 to 406		87 to 406		87 to 406		87 to 406	
Air Consumption - m <sup>3</sup> /min	7.4		8.6		8.6		7.2		7.2		7.2	
10.4 bar [150 PSI]	15.8		19.5		19.5		19.5		19.5		19.5	
17.2 bar [250 PSI]	24.9		32.4		32.4		33.7		33.7		33.7	
24.1 bar [350 PSI]												
Air Consumption - SCFM												
10.4 bar [150 PSI]	268		305		305		256		256		256	
17.2 bar [250 PSI]	575		689		689		689		689		689	
24.1 bar [350 PSI]	905		1145		1145		1189		1189		1189	
Recommended rotation speed, r/min	15 to 60		15 to 60		15 to 60		14 to 50		14 to 50		14 to 50	
Minimum diameter difference between wear sleeve and bit, mm	12		12		12		12		12		12	
Minimum diameter difference between wear sleeve and bit, [in]	0.47		0.47		0.47		0.47		0.47		0.47	
<b>Technical Specifications</b>												
Bit shank	360		360/360T		MI6/60		QL8/QL80		QL8/QL80		QL8/QL80	
Recommended bit size, mm	165 to 178		165 to 178		165 to 178		200 to 254		215 to 254		215 to 254	
Recommended bit size, [in]	6.5 to 7.0		6.5 to 7.0		6.5 to 7.0		7.9 to 10.0		8.5 to 10.0		8.5 to 10.0	
Outside diameter, mm	149		149		149		183		188		188	
Outside diameter, [in]	5.9		5.9		5.9		7.2		7.4		7.4	
Wear Limit Outside Diameter, mm	130		130		130		175		175		175	
Wear Limit Outside Diameter, [in]	5.1		5.1		5.1		6.9		6.9		6.9	
Wrench flat on top sub, mm	95		95		95		124		124		124	
Wrench flat on top sub, [in]	3.74		3.74		3.74		4.9		4.9		4.9	
Total Length without drill bit, mm *	1092		1151		1072		1285		1285		1303	
Total Length without drill bit, [in] *	43.0		45.3		42.2		50.6		50.6		51.3	
Effective Length, mm *	996		1057		977		1176		1176		1194	
Effective Length, [in] *	39.2		41.6		38.5		46.3		46.3		47.0	
Weight without drill bit, kg *	95		100		94		153		177		181	
Weight without drill bit, [lbs] *	208.6		220.6		207.1		336.6		391.0		398.0	
Piston diameter, mm	120		120		120		152		152		152	
Piston diameter, [in]	4.7		4.7		4.7		6.0		6.0		6.0	

\* Las longitudes y pesos pueden variar, dependiendo del diseño del martillo DTH comprado.



## **7. NORMAS DE SEGURIDAD:**

El ambiente de trabajo donde esta presente equipos de perforación por percusión, ofrece multitud de oportunidades de causar lesiones al personal descuidado y desprevenido. Este seguro de trabaja con seguridad todo el tiempo. Equipos con mecanismos de rotación tienden a enredarse con ropa suelta u holgada. Niveles de ruido elevados siempre acompañan las operaciones con martillos de fondo y polvo y escombros pueden ser levantados debido al uso de aire comprimido. Proteja su vista y oídos con equipos de seguridad adecuados. Todo el tiempo, mantenga sus manos y piernas alejadas del barreno. Cuide que sus dedos no queden atrapados entre la broca y el martillo de fondo.

## **8. CONDICIONES DE LA GARANTÍA:**

ROCKMORE garantiza que todos sus martillos de fondo de la serie ROK y serie ROK T, sus componentes y piezas de repuesto están libres de defectos. La cobertura de esta garantía es por un periodo de seis meses a partir de la fecha de despacho.

A fin de ser elegible para el servicio de garantía, primeramente se deberá presentar un reclamo formal de garantía y obtener un numero de autorización de devolución de producto, lo cual le autorizara a la devolución del producto a nuestras plantas. Los gastos de envío de todo producto sea nuevo o usado corren por cuenta del cliente.

ROCKMORE se reserva el derecho de negar cualquier reclamo de garantía cuando este asociado a alguno de los siguientes problemas:

- Daños causados por la aplicación de fuerza excesiva en alguno de los componentes
- Uso de repuestos no originales ROCKMORE
- Cualquier intento de físicamente alterar cualquiera de los componentes del martillo de fondo incluyendo la aplicación de calor o soldadura
- No seguir las recomendaciones y procedimientos de mantenimiento y operación tales como lubricación, contaminación, corrosión, zona de uso de abrazaderas
- Fallas debidos a abusos, mal uso y mantenimiento y reparaciones ejecutadas de forma inadecuada
- Desgaste normal durante los procedimientos normales de perforación

La máxima presión recomendada de operación de los martillos de fondo de la serie ROK y serie ROK T es 350 PSI (24.1 bar). Aun cuando los martillos de fondo de la serie ROK Y serie ROK T pueden manejar presiones mayores, operar el martillo a una presión superior a la máxima recomendada dejara sin efecto la garantía del fabricante.


### **Responsabilidad**

ROCKMORE no sera responsable por ningún reclamo de lesiones personales producto del la aplicación negligente de procedimientos, manejo, operación y/o mantenimiento de los martillos de fondo y las brocas. ROCKMORE negara toda responsabilidad por fallas debidas a la omisión en seguir las recomendaciones y medidas relacionadas con la seguridad y protección a la salud en el trabajo.



# IMLOCHHÄMMER DER ROK SERIE & ROK T SERIE

## BEDIENUNGS & WARTUNGSANLEITUNG

INHALT .....	SEITE
1 – Einführung.....	1
1.1 – High-Performance Imlochhämmer der ROK T Serie ..... 	2
2 – Bedienung.....	3
2.1 – Vorab Inspektion.....	3
2.2 – Inbetriebnahme des ROK & ROK T Imlochhammers .....	3
2.3 – Drossel (Choke).....	4
3 – Hammer Wartung.....	4
3.1 – Schmierung .....	4
3.2 – Verschmutzung.....	5
3.3 – Korrosion .....	5
4 – Service .....	5
4.1 – Demontage .....	5
4.2 – Bereich für Klemmbacken.....	6
4.3 – Routine Inspektion.....	6
4.4 – Verschleissgrenzen Tabelle.....	8
4.5 – Zusammenbau.....	11
5 – ROK Serie & ROK T Serie Imlochhammers Ersatzteile .....	11
6 – ROK Serie & ROK T Serie Technische Daten.....	12
7 – Sicherheitshinweise.....	15
8 – Gewährleistung .....	15

**Rockmore International, Inc.**  
 10065 SW Commerce Circle  
 Wilsonville, OR 97070  
 USA

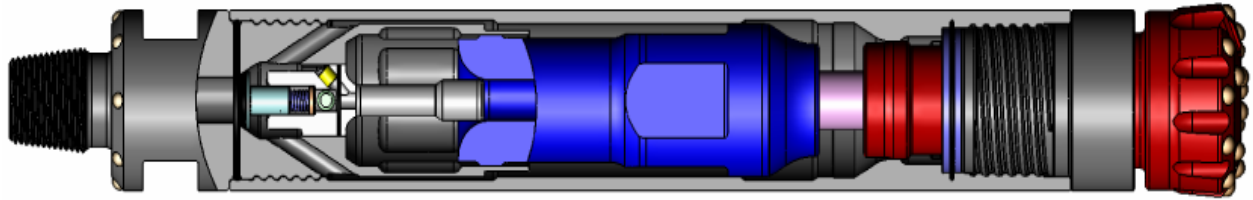
Phone: +1-503-682-1001  
 Fax: +1-503-682-1002  
 Email: [info@rockmore-intl.com](mailto:info@rockmore-intl.com)

**Rockmore International GmbH**  
 Collini – Strasse 2  
 A-8750 Judenburg  
 Austria

Phone: +43 3572 86 300-0  
 Fax: +43 3572 84 179  
 Email: [austria@rockmore-intl.at](mailto:austria@rockmore-intl.at)

[www.rockmore-intl.com](http://www.rockmore-intl.com)

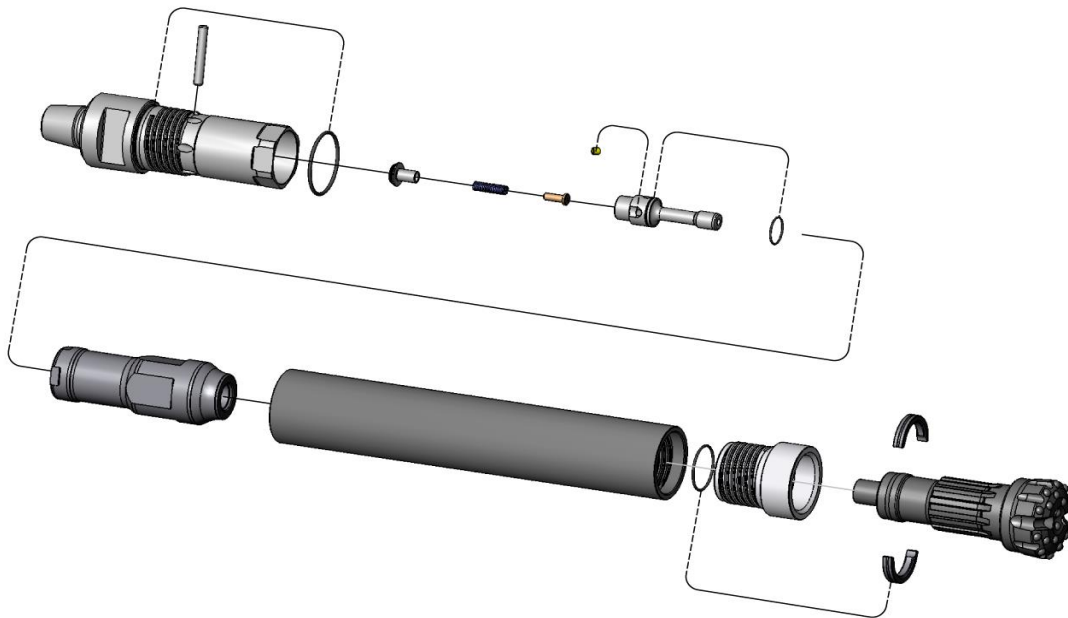




## **1. EINFÜHRUNG:**

ROK Serie und ROK T Serie Hochleistungs Imlochhämmer

Der optimal Energietransfer ist im Imlochhammerbohren essentiell für die Leistung des Hammers um genügend komprimierte Luftenergie an die Krone zu übertragen. Das ist der Grund, warum die Luftführung bei den ROK und ROK T Imlochhämmern erneuert und zugleich revolutioniert wurde. Unsere patentierte SonicFlow Technologie minimiert die Turbulenzen und auch den Rückstau im Hammer, dies resultiert in einer höheren Schlagenergie als auch in einer höheren Schlagfrequenz, das wiederum in eine Effizienzsteigerung und höhere Penetrationsraten nach sich zieht. Auch durch eine überdachte Entwicklung des Hammers, wurden einzelne Bauteile optimiert und dadurch auch die Anzahl der Einzelteile eingespart, welche die Wartung und Servicingierung des Imlochhammers vereinfachen. So, um eine höhere Produktivität zu erreichen – get ready to ROK!

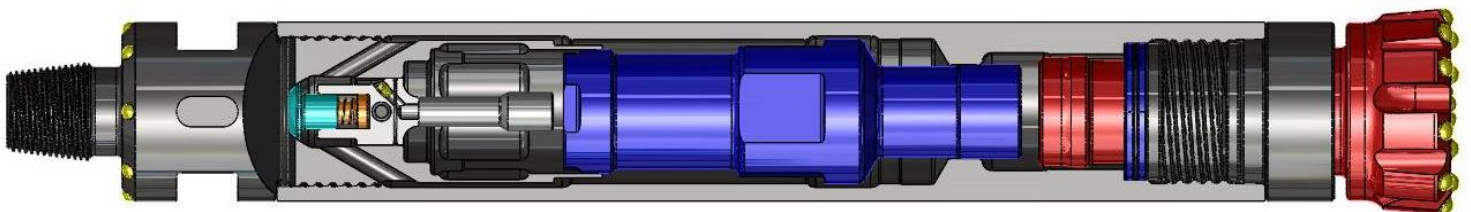


## 1.1 – High-Performance Imlochhämmer der ROK T Serie

Die Hämmer der ROK T-Serie weisen die selben herausragenden technischen Eigenschaften auf wie die der ROK-Serie, mit dem Unterschied, dass die Hämmer der T-Serie kein Fußventil benötigen, während die Standard-Kronenschäfte beibehalten wurden. (Um Standard-Kronen in ROK-T-Hämmern zu verwenden, müssen zuvor die Fußventile **rückstandsfrei** herausgenommen werden.)



Hämmer der ROK-T-Serie IMMER mit Kronen OHNE Fußventil betreiben! Aus Standard-Kronen die Fußventile **rückstandsfrei** entfernen! Widrigenfalls erlöschen sämtliche Gewährleistungsansprüche.



## **2. BEDIENUNG:**

### **2.1 – Vorab Inspektion**

Alle ROK und ROK T Imlochhämmer werden vor der Auslieferung im Werk getestet um sicherzustellen, dass wenn diese beim Kunden eintreffen auch reibungslos funktionieren. Nach Erhalt der Imlochhämmer, bitten wir Sie in der Lieferkartonage oder Kiste nachzusehen, ob Sie auch den korrekten Hammer der ROK Serie oder ROK T Serie bestellt haben.

- Bitte notieren Sie sich die Seriennummer Ihres Hammers, diese finden Sie in einer der Schlüsselstellen des Gewindeanschlusses hartgestempelt. Sie benötigen diese Seriennummer für etwaige Rückfragen oder um Reklamationsverfahren anzustoßen.



### **2.2 – Inbetriebnahme des ROK & ROK T Imlochhammers**

Wir empfehlen Ihnen nur Imlochhammer Kronen, welche noch intakt sind zu verwenden. Vermeiden Sie bitte Kronen, die zu sehr verschlissen sind, da sich dies in einer schlechteren Leistung Ihres Hammers auswirken kann und auch zu einem frühzeitigen Verschleiss einzelner Hammerbauteile führen kann. (Es ist wichtig, dass Fußventile **entfernt** werden, wenn Sie mit einem **ROK T**-Hammer arbeiten. Ein Abschneiden des Fußventils wird nicht empfohlen, da durch die Rückstände der Hammer beschädigt und die Leistung beeinträchtigt werden kann.)

Kontrollieren Sie bitte am Anfang den Zustand der Gewinde des Bohrrohrs und auch das Gewinde am ROCKMORE Anschlußteil des Hammers, um den passenden Sitz der beiden Komponenten zu gewährleisten. Um Abrieb und/oder Korrosion der Gewindeflanken vorzubeugen, tragen Sie vor dem ersten Gebrauch, Gewindefett auf das Gewinde des Hammers auf. Wenn Sie den Hammer zusammenbauen, achten Sie bitte darauf, dass Sie keinen Schmutz, Staub oder ähnliches in das System einbringen. Diese Art der Kontamination kann die Gewindeverbindung beeinträchtigen, und das kann wiederum die Performance des Imlochhammers beeinträchtigen.

Es ist wichtig, dass das Gewinde am ROCKMORE Anschlußteil und die Gewinde am Vordergehäuse eingefettet werden, das dient zur einfacheren Demontage des Hammers. Wenn Sie die Bohrkronen wechseln, dann ist es notwendig Gewindefett wieder erneut auf das Vordergehäuse aufzutragen. Dies ist bei jedem Wechsel der Krone notwendig.. Rockmore empfiehlt, ein Anzugsmoment am Vordergehäuse und am Anschlussteil von 40,5 – 54Nm pro mm (750 – 1000 ft-lb pro Zoll) des Hammerdurchmessers ( Bitte die Klemmzonen des Hammers, wie auf Seite 6 gekennzeichnet, beachten bevor Sie den Hammer zusammenschrauben).

Unsere Hämmer werden mit genügend Hammeröl im Inneren auf Lager gelegt und auch verschickt, es ist jedoch wichtig, dass Sie vor der Inbetriebnahme des Hammers etwas Öl in das Anschlußteil einfüllen. Dabei, stellen Sie den Hammer senkrecht, um sicherzugehen, dass das Öl alle Bauteile im Inneren erreichen kann. Bitte lesen Sie im Abschnitt 3.1 für den Minimum-Ölverbrauch der einzelnen Imlochhämmer der ROK Serie und ROK T Serie.



## 2.2 – Inbetriebnahme des ROK & ROK T Imlochhammers (fortgesetzt)

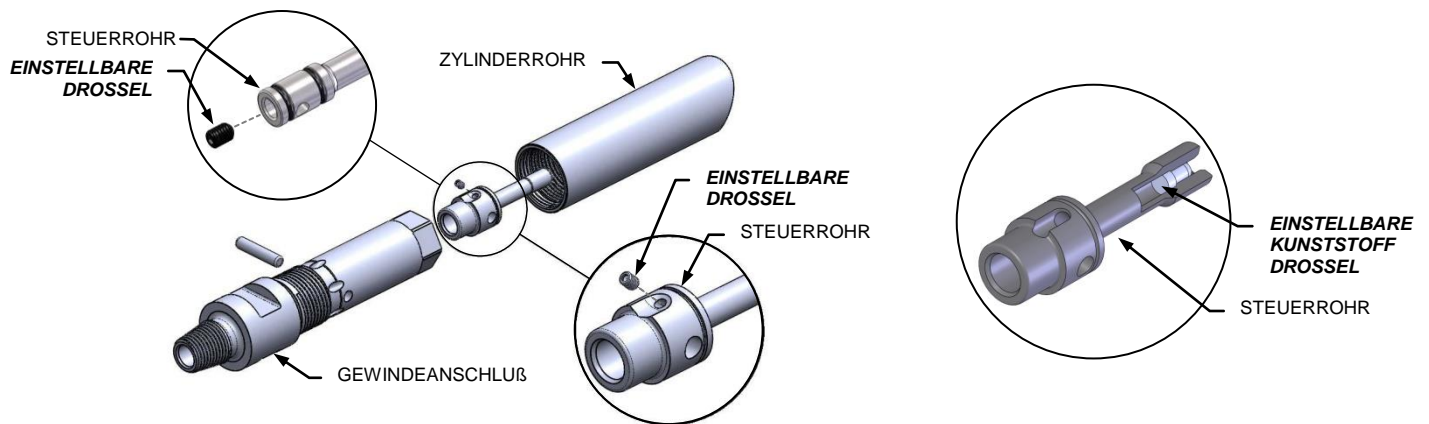
Der Imlochhammer beginnt zu schlagen, sobald er mit Luft beaufschlagt wird, und die Bohrkronen gegen das Vordergehäuse geschossen wird. Es ist kein hoher Druck von Nöten um den Hammer zu starten. Starten Sie die Rotation im Uhrzeigersinn mit ungefähr 30 U/min. Die Krone wird nun gegen das Vordergehäuse gedrückt und der Hammer beginnt nunmehr mit dem Schlagen. Wenn der Hammer sich vom Untergrund abhebt, ist die Krone nicht mehr gegen das Vordergehäuse gedrückt und der Hammer stoppt. Das überschüssige Luftvolumen, geht nun direkt durch den Hammer, und diese Luft kann für das Reinigen des Bohrloches verwendet werden. Durch die Justierung des passenden Luftvolumens, Luftdrucks, Vorschubes und der Rotation, wird die optimale Hammerleistung erzielt bzw. eingestellt.

Die Rotationsgeschwindigkeit soll den Verhältnissen der Anwendung, des Bohrgerätes, der Bodenbeschaffenheit..... angepasst werden. Bitte beachten Sie, dass eine zu hohe Drehzahl zu einem frühzeitigen Verschleiß der Bohrkronen und somit zu schlechteren Penetrationsraten führen kann.

## 2.3 – Drossel (Choke)

Unsere Imlochhammer der ROK Serie und ROK T Serie sind mit einem Luftmengenregler ausgestattet, mit dem es Ihnen ermöglicht wird, das Luftvolumen zu regeln, welches den Kolben betätigt. Nach der Demontage des Anschlussteils, entfernen Sie bitte das Steuerrohr um an die Drossel zu gelangen.

Es können verschiedene Lochdurchmesser in die Stahl- oder Kunststoff Drossel gebohrt werden. Ein größeres Loch in der Drossel verringert die Schlagenergie des Kolbens, und ermöglicht, dass die überschüssige Luft leichter das Bohrklein oder Wasser austrägt. Zu Beachten ist, dass die Bohrung in der Drossel einen Durchmesser von 5mm nicht übersteigen darf. In manchen Fällen kann die Drossel komplett entfernt werden, damit die maximale Luftmenge zugunsten der Spülung entweichen kann.



## 3. HAMMER WARTUNG:

### 3.1 – Schmierung

Eine ausreichende Schmierung ist notwendig für ein effizientes und effektives Bohren. Ungenügende Schmierung oder das verwenden falscher Schmiermittel kann zu einem verfrühten Ausfall des Hammers führen, die Temperaturen an der Kolbenoberfläche können einen Wert von über 750°C erreichen, durch diese Temperatureinwirkung werden Materialeigenschaften verändert, weiters können Hitzersisse am Kolben entstehen die wiederum Brüche verursachen.

Die **Mindestmenge** an Bohrhämmeröl, die für den Betrieb aller DTH-Hämmer der ROK-Serie und ROK-T-Serie erforderlich ist, errechnet sich aus 0,2 l/h je 3,0 m<sup>3</sup>/min (1/3 Pint/h pro 100 cfm) Kompressorleistung.





### 3.1 – Schmierung (fortgesetzt)

Es sind ausschließlich Öle für den Betrieb pneumatischer Hammer geeignet. In Umgebungstemperaturen von ca. 27°C oder höher, benutzen Sie bitte ein SAE 50 Öl.

Einige der geeigneten Öle sind hier angeführt:

	Medium SAE 30	Heavy SAE 50
Exxon	Aroc 150	Aroc 302
Shell	Torcula 150	Torcula 320
Texaco	Rock Drill Lube 100	Rock Drill Lube 320
Chevron	Vistac 150	Vistac 320
Rockmore	Hammer Guard <b>(Empfohlen)</b> *	

*\* Das Rockmore "Hammer Guard" Öl ist ein umweltfreundliches pflanzliches Öl basierend auf einem Schmierstoff für Gesteinsbohrwerkzeuge. Ein spezielles Additiv verleiht dem Schmierfilm ausgezeichnete Gleiteigenschaften, die ein Anreiben des Kolbens verzögern.*

### 3.2 – Verschmutzung

Verschmutzung ist eine weitere häufige Ursache von Schadensfällen im Bereich des Imlochhammers und der Krone. Stellen Sie sicher, dass sämtliche Verbindungen immer abgedeckt und rein sind. Es ist ratsam, bevor Sie den Hammer an die Bohrröhre schrauben, die Spülluft (Wasser) für einige Sekunden einzuschalten und das Bohrrohr reinzuspülen, diese Maßnahme verhindert, dass etwaige Rostablagerungen oder andere Schmutzpartikel aus dem Bohrrohr entfernt werden. Bei der Installation der Krone in den Imlochhammer, stellen Sie sicher, dass Fremdgegenstände wie z.B. Bohrklein vorher entfernen.

### 3.3 – Korrosion

Korrosion ist eine weitere häufige Ursache von Schadensfällen im Bereich des Imlochhammers und der Krone. Korrosion ist eine Beeinträchtigung des Materiales durch äußere Einflüsse. Die einfachste Maßnahme um Korrosion zu vermeiden, ist immer darauf zu achten, dass genügend Hammeröl zur Schmierung des Hammers benutzt wird. Nach der Benutzung von Schaumzusätzen, vergewissern sie sich bitte, dass nach dem Gebrauch die einzelnen Bauteile des Hammers gründlich mit klarem Wasser gereinigt und danach diese wieder gründlich eingeölt werden. Das regelmäßige betreiben der Bauteile mit Schaum beschleunigt die Korrosion.

Die häufigste Art der Korrosion ist die Kavitationskorrosion und Oxidation (kleine Korrosionspunkte auf der Oberfläche). Die häufigsten Orte der Korrosion sind an nicht beweglichen Teilen, wie z.B. Gewinde, O-Ring Nuten.

## 4. SERVICE:

### 4.1 – Demontage

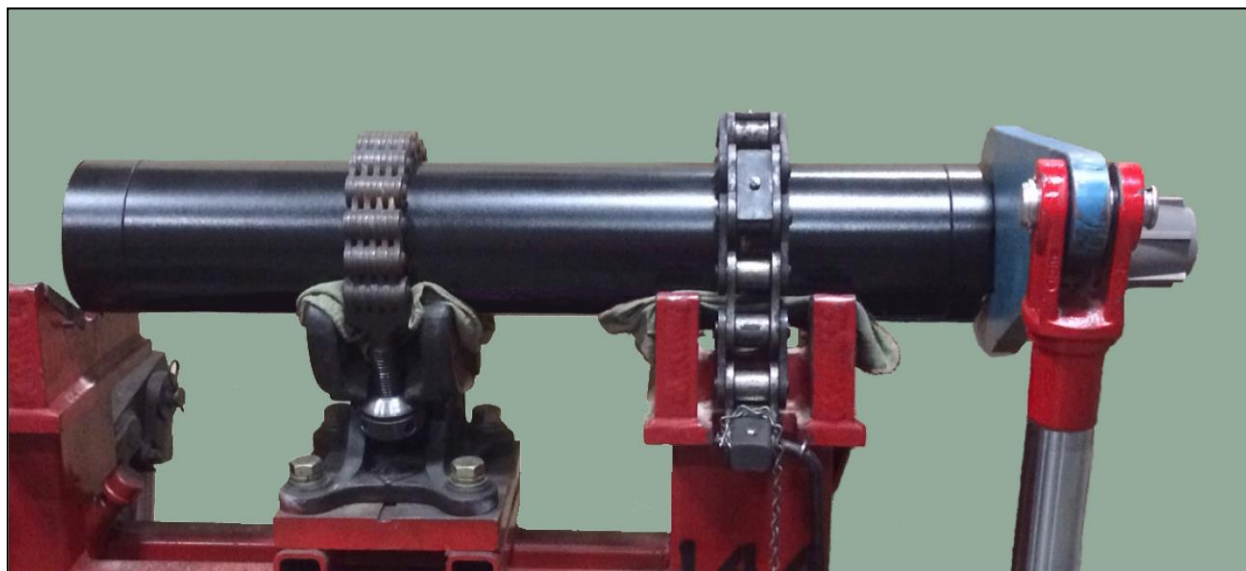
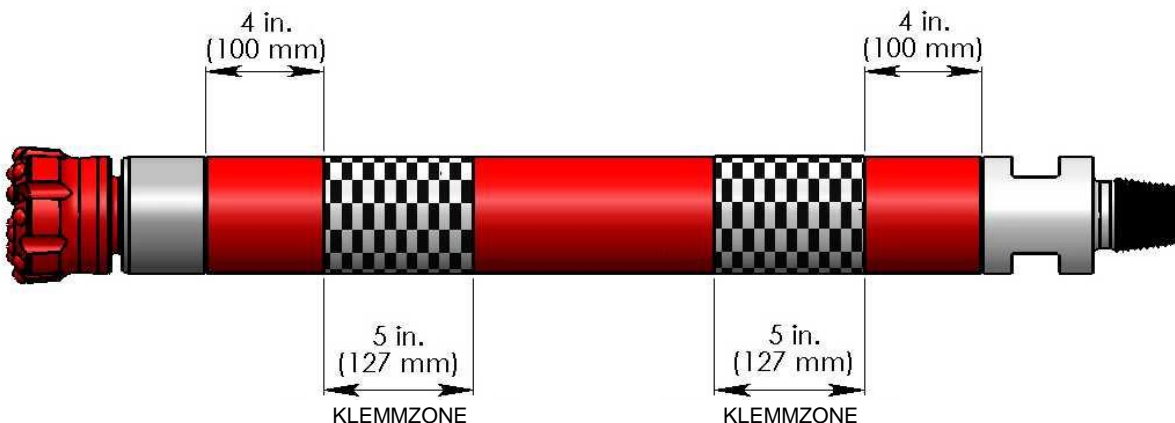
Die ROK und ROK T Hammers verwenden rechtsgängige Gewinde.

Bitte verwenden Sie immer passendes Werkzeug um das Anschlußteil und das Vordergehäuse vom Zylinderrohr eines ROK und ROK T Hammers abzuschrauben. Bitte schlagen Sie nicht auf den Hammer, oder wenden Sie nicht übermäßige Kraft mit nicht passendem Werkzeug an, da dies zu einer Beschädigung des Zylinderrohres durch Verformung oder Rissbildung führen kann, und die Lebensdauer des Hammers herabsetzt. Wenn dies dennoch der Fall sein sollte, werden sämtliche Gewährleistungen ungültig. Bitte erhitzen Sie niemals den Hammer, da dies die Materialeigenschaften verändert!



## 4.2 – Bereich für Klemmbacken

Beim Zerlegen des Hammers die Greifbacken der Hammer-Lösevorrichtung oder des Bohrgeräts ausschließlich an den Greifzonen ansetzen. Die Greifzonen sind in bestimmter Entfernung von den Gewinden und der Kolbenführungszone. Ein Greifen des Zylinderrohrs außerhalb dieser Zonen kann zu schwerer Beschädigung und Leistungsminderung führen, und setzt Gewährleistungs- und Garantieansprüche außer Kraft.



Zerlegen des Hammers auf einer Hammer-Lösevorrichtung

## 4.3 – Routine Inspektion

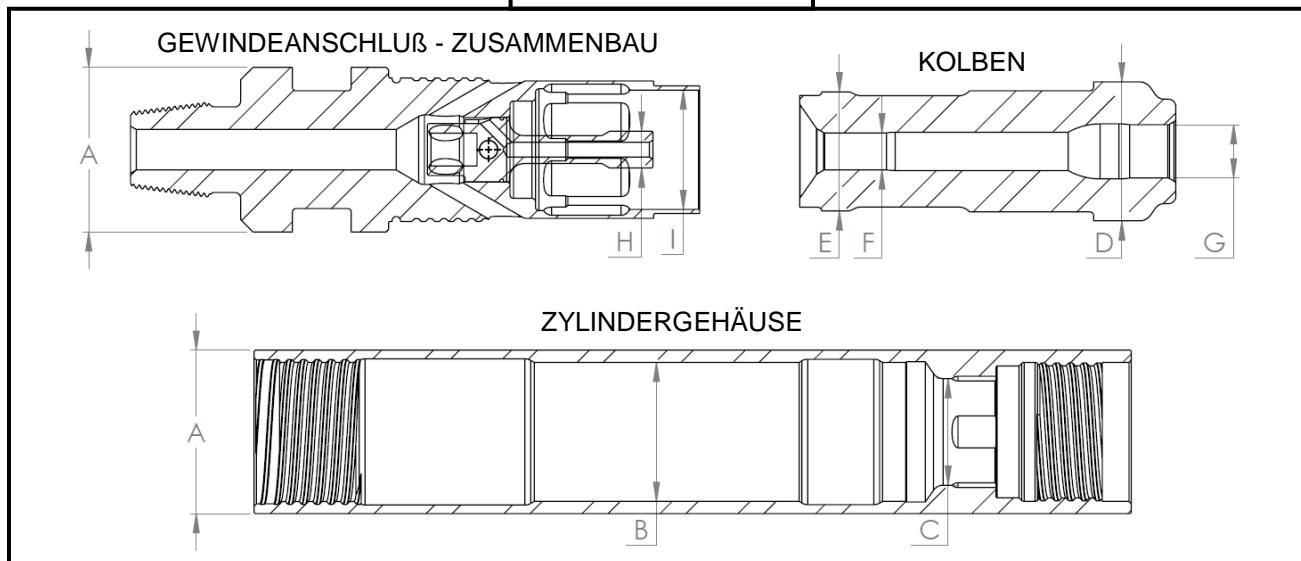
Bitte überprüfen Sie den Imlochhammer bzw. dessen Einzelteile regelmäßig und sorgfältig auf Anzeichen von Beschädigungen. Etwaige scharfe Kanten/Kerben an der Schlagfläche des Kolbens müssen mit Schmirgelpapier beseitigt werden. Für den Fall, dass Sie am Kolben kleine Risse oder verstärkten Abrieb bemerken, empfehlen wir Ihnen dringend, den Kolben auszutauschen, um eine weitere Beschädigung des restlichen Hammers zu vermeiden. Abrieb oder Risse im Kolben sind meist die Ursache von zu ungenügender Schmierung oder Verschmutzung im Inneren des Hammers. Um mehr darüber nachzulesen, schlagen sie bitte bei den Punkten 3.1 (Schmierung) und 3.2 (Verschmutzung) nach.



### 4.3 – Routine Inspektion (fortgesetzt)

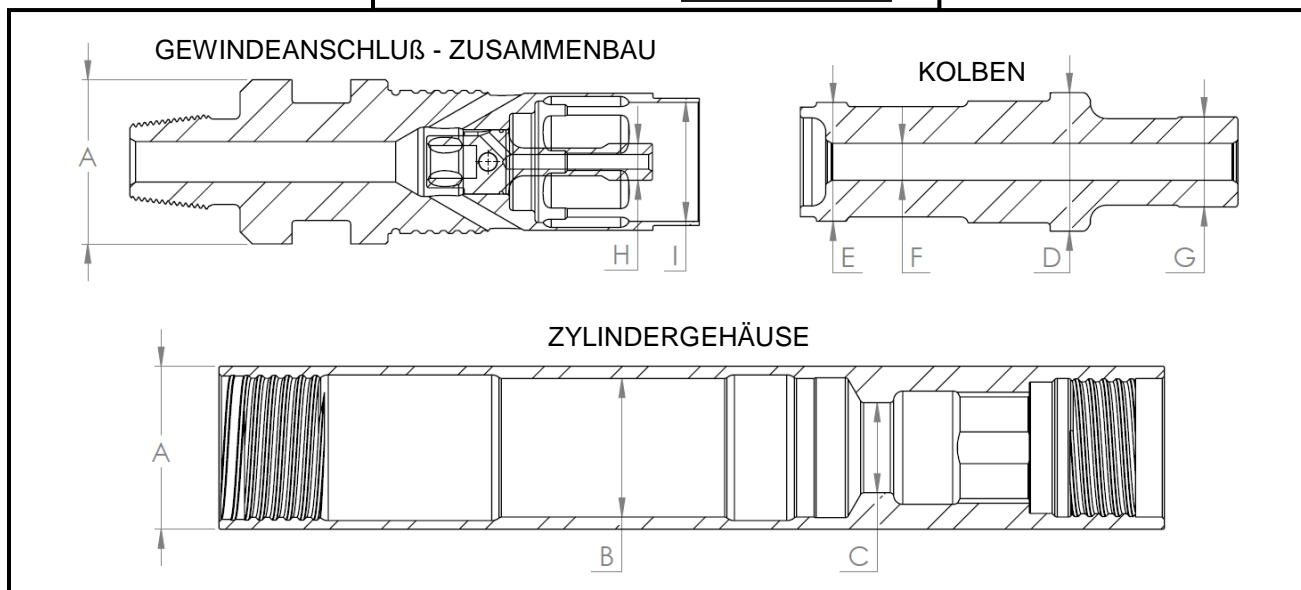
Der Verschleiß an den Hauptkomponenten (Zylinderrohr, Kolben, Steuerrohr und Anschlußteil) sollte regelmäßig überprüft werden. Bitte verwenden Sie dazu die unten nachstehende Tabelle um festzustellen, bei welchen Abmessungen Sie die Bauteile austauschen sollten.

#### ROK SERIE



#### ROK T SERIE

**X TUBELESS X**



## 4.4 – Verschleissgrenzen Tabelle

		ROK 250		ROK 300		ROK 350		ROK 400		ROK 550A		ROK 550T		ROK 55A-350R	
		Nominal [in]	Discard Limit [in]	Nominal [in]	Discard Limit [in]	Nominal [in]	Discard Limit [in]	Nominal [in]	Discard Limit [in]	Nominal [in]	Discard Limit [in]	Nominal [in]	Discard Limit [in]	Nominal [in]	Discard Limit [in]
<b>WEAR SLEEVE</b>															
A	Outer Diameter	2.598	2.362	3.071	2.795	3.346	3.071	3.858	3.504	4.921	4.291	4.921	4.291	4.921	4.291
B	Piston Bore	2.091	2.095	2.484	2.488	2.760	2.764	3.197	3.201	3.898	3.904	3.898	3.904	3.898	3.904
C	Bit Guide ID	1.776	1.783	N/A	N/A	N/A	N/A	N/A	N/A	3.012	3.019	2.722	2.727	3.268	3.275
<b>PISTON</b>															
D	Large Outer Diameter	2.087	2.083	2.481	2.477	2.757	2.753	3.193	3.189	3.894	3.890	3.894	3.890	3.894	3.890
E	Small Outer Diameter	1.697	1.693	2.091	2.087	2.365	2.361	2.671	2.667	3.260	3.256	3.260	3.256	3.260	3.256
F	Air guide Bore Diameter	0.630	0.640	0.902	0.912	0.902	0.912	0.902	0.912	1.260	1.267	1.260	1.267	1.260	1.267
G	Blow Tube Bore Diameter	0.837	0.845	0.980	0.988	0.980	0.988	1.073	1.083	1.512	1.522	2.710	2.706	1.388	1.398
<b>AIR GUIDE</b>															
H	Finger Outer Diameter	0.626	0.622	0.892	0.888	0.892	0.888	0.892	0.888	1.252	1.248	1.252	1.248	1.252	1.248
<b>TOP SUB</b>															
I	Piston Bore Inner Diameter	1.701	1.706	2.094	2.099	2.370	2.375	2.677	2.682	3.268	3.273	3.268	3.273	3.268	3.273

(Siehe Tabelle der Verschleißgrenzen S. 8)

\* Die Leistung des Hammers hängt vom Ausmaß des Verschleißes im Bereich der Dichtflächen ab. Dieses sollte gemessen und aufgezeichnet werden. Abhängig von der verfügbaren Luftmenge kann die Leistung des ROK Hammers bereits vor Erreichen der Verschleißgrenzen laut Tabelle absinken.



#### 4.4 – Verschleißgrenzen Tabelle (fortgesetzt)

	ROK 55T-350T		ROK 600A		ROK 600T		ROK 60-360		ROK 60T-360T		ROK 60T-Mi6		ROK 650A	
	Nominal [in]	Discard Limit [in]	Nominal [in]	Discard Limit [in]	Nominal [in]	Discard Limit [in]	Nominal [in]	Discard Limit [in]	Nominal [in]	Discard Limit [in]	Nominal [in]	Discard Limit [in]	Nominal [in]	Discard Limit [in]
<b>WEAR SLEEVE</b>														
A Outer Diameter	4.921	4.291	5.591	5.118	5.591	5.118	5.591	5.118	5.591	5.118	5.591	5.118	5.858	5.118
B Piston Bore	3.898	3.904	4.724	4.730	4.724	4.730	4.724	4.730	4.724	4.730	4.724	4.730	4.724	4.730
C Bit Guide ID	2.722	2.727	3.622	3.632	3.075	3.080	3.622	3.632	3.075	3.080	3.075	3.080	3.622	3.632
<b>PISTON</b>														
D Large Outer Diameter	3.894	3.890	4.720	4.716	4.720	4.716	4.720	4.716	4.720	4.716	4.720	4.716	4.720	4.716
E Small Outer Diameter	3.260	3.256	4.047	4.043	4.047	4.043	4.047	4.043	4.047	4.043	4.047	4.043	4.047	4.043
F Air guide Bore Diameter	1.260	1.267	1.260	1.267	1.260	1.267	1.260	1.267	1.260	1.267	1.260	1.267	1.260	1.267
G Blow Tube Bore Diameter	2.710	2.706	1.811	1.821	3.065	3.061	1.520	1.530	3.065	3.061	3.065	3.061	1.811	1.821
<b>AIR GUIDE</b>														
H Finger Outer Diameter	1.252	1.248	1.252	1.248	1.252	1.248	1.252	1.248	1.252	1.248	1.252	1.248	1.252	1.248
<b>TOP SUB</b>														
I Piston Bore Inner Diameter	3.268	3.273	4.055	4.060	4.055	4.060	4.055	4.060	4.055	4.060	4.055	4.060	4.055	4.060

(Siehe Tabelle der Verschleißgrenzen S. 8)

\* Die Leistung des Hammers hängt vom Ausmaß des Verschleißes im Bereich der Dichtflächen ab. Dieses sollte gemessen und aufgezeichnet werden. Abhängig von der verfügbaren Luftmenge kann die Leistung des ROK Hammers bereits vor Erreichen der Verschleißgrenzen laut Tabelle absinken.



#### 4.4 – Verschleissgrenzen Tabelle (fortgesetzt)

ROK 650M		ROK 650T		ROK 65-360		ROK 65T-360T		ROK 65T-M16		ROK 800A		ROK 875A		ROK 87A-380	
Nominal [in]	Discard Limit [in]	Nominal [in]	Discard Limit [in]	Nominal [in]	Discard Limit [in]	Nominal [in]	Discard Limit [in]	Nominal [in]	Discard Limit [in]	Nominal [in]	Discard Limit [in]	Nominal [in]	Discard Limit [in]	Nominal [in]	Discard Limit [in]
<b>WEAR SLEEVE</b>															
A Outer Diameter	5.858	5.118	5.858	5.118	5.858	5.118	5.858	5.118	5.858	7.165	6.890	7.402	6.890	7.402	6.890
B Piston Bore	4.724	4.730	4.724	4.730	4.724	4.730	4.724	4.730	4.724	6.000	6.006	6.000	6.006	6.000	6.006
C Bit Guide ID	3.622	3.632	3.622	3.632	3.622	3.632	3.075	3.080	3.075	4.650	4.662	4.650	4.662	4.650	4.662
<b>PISTON</b>															
D Large Outer Diameter	4.720	4.716	4.720	4.716	4.720	4.716	4.720	4.716	4.720	4.720	4.716	4.720	4.716	4.720	4.716
E Small Outer Diameter	4.047	4.043	4.047	4.043	4.047	4.043	4.047	4.043	4.047	5.189	5.185	5.189	5.185	5.189	5.185
F Air guide Bore Diameter	1.260	1.267	1.260	1.267	1.260	1.267	1.260	1.267	1.260	1.772	1.779	1.772	1.779	1.772	1.779
G Blow Tube Bore Diameter	1.811	1.821	3.065	3.061	1.520	1.530	3.065	3.061	3.065	2.142	2.152	2.142	2.152	2.008	2.018
<b>AIR GUIDE</b>															
H Finger Outer Diameter	1.252	1.248	1.252	1.248	1.252	1.248	1.252	1.248	1.252	1.766	1.762	1.766	1.762	1.766	1.762
<b>TOP SUB</b>															
I Piston Bore Inner Diameter	4.055	4.060	4.055	4.060	4.055	4.060	4.055	4.060	4.055	5.197	5.202	5.197	5.202	5.197	5.202

(Siehe Tabelle der Verschleißgrenzen S. 8)

\* Die Leistung des Hammers hängt vom Ausmaß des Verschleißes im Bereich der Dichtflächen ab. Dieses sollte gemessen und aufgezeichnet werden. Abhängig von der verfügbaren Luftmenge kann die Leistung des ROK Hammers bereits vor Erreichen der Verschleißgrenzen laut Tabelle absinken.

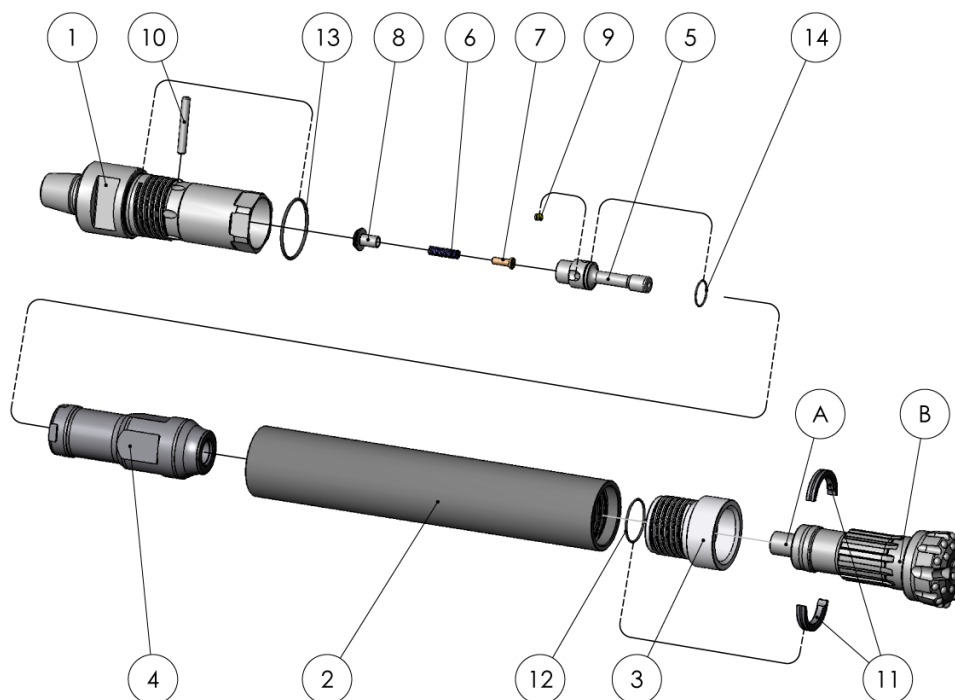


## 4.5 – Zusammenbau

Entfernen Sie jeglichen Abrieb und jegliche Art von Schrammen mit Schmirgelpapier. Im speziellen wenn Bauteile gebrochen sind, ist es äußerst wichtig die von benachbarten Bauteilen und deren Kontaktflächen zu kontrollieren, ebenso beim Austausch von fehlerhaften Teilen.

Bitte ölen Sie die Hammerbauteile wieder sorgfältig ein und verwenden Sie auch wieder Gewindefett um die Gewinde damit zu bedecken, bevor Sie den Hammer wieder zusammenbauen. Verwenden Sie bitte einen Schonhammer um einzelnen Komponenten wieder einzusetzen und um sicherzustellen, dass diese auch in der passenden Position sind. Wenden Sie keine Gewalt an um die Teile einzusetzen!

## 5. ROK SERIE & ROK T SERIE IMLOCHHAMMERS ERSATZTEILE:



Artikelnummer	Artikelname	Artikelnummer	Artikelname
1	Gewindeanschluß	9	Drossel
2	Zylindergehäuse	10	Bolzen
3	Vordergehäuse	11	Halteschale Zweiteilig
4	Kolben	12	O-ring (Halteschale Zweiteilig)
5	Steuerrohr	13	O-ring (Gewindeanschluß)
6	Ventilfeder	14	O-ring (Steuerrohr)
7	Ventilfederführung	A	Fußventil *
8	Ventil	B	Tieflochbohrkronen

\* NUR in Hämmer der ROK Serie, nicht in ROK T Serie Hämmer.



## 6. ROK SERIE & ROK T SERIE TECHNISCHE DATEN:

	X-TUBELESS X					X-TUBELESS X				
	ROK 250	ROK 300	ROK 350	ROK 400	ROK 550A	ROK 550T	ROK 55A-350R	ROK 55T-350RT		
<b>Operating Parameters</b>										
Working pressure, Bar	6 to 28	6 to 28	6 to 28	6 to 28	6 to 28	6 to 28	6 to 28	6 to 28	6 to 28	6 to 28
Working pressure, [PSI]	87 to 406	87 to 406	87 to 406	87 to 406	87 to 406	87 to 406	87 to 406	87 to 406	87 to 406	87 to 406
Air Consumption - m <sup>3</sup> /min										
10.4 bar [150 PSI]	1.6	4.1	4.9	5.8	5.5	7.3	5.5	7.3	5.5	7.3
17.2 bar [250 PSI]	4.3	5.6	8.5	10.4	14.4	16.6	14.4	16.6	14.4	16.6
24.1 bar [350 PSI]	6.7	9	12.3	15.3	23.7	25.2	23.7	25.2	23.7	25.2
Air Consumption - SCFM										
10.4 bar [150 PSI]	55	145	178	210	193	259	193	259	193	259
17.2 bar [250 PSI]	151	199	309	378	508	587	508	587	508	587
24.1 bar [350 PSI]	235	318	448	556	837	890	837	890	837	890
Recommended rotation speed, r/min	35 to 95	35 to 95	35 to 95	25 to 80	20 to 70	20 to 70	20 to 70	20 to 70	20 to 70	20 to 70
Minimum diameter difference between wear sleeve and bit, mm	10	10	10	10	10	10	10	10	10	10
Minimum diameter difference between wear sleeve and bit, [in]	0.39	0.39	0.39	0.39	0.39	0.39	0.39	0.39	0.39	0.39
<b>Technical Specifications</b>										
Bit shank	RM250	IR 3.5	IR 3.5	340A	QL5/QL50	QL5/QL50/QL5T	350R	350R/350RT		
Recommended bit size, mm	76 to 89	88 to 105	95 to 105	110 to 125	140 to 152	140 to 152	140 to 152	140 to 152	140 to 152	140 to 152
Recommended bit size, [in]	3.0 to 3.5	3.5 to 4.1	3.7 to 4.1	4.3 to 4.9	5.5 to 6.0	5.5 to 6.0	5.5 to 6.0	5.5 to 6.0	5.5 to 6.0	5.5 to 6.0
Outside diameter, mm	66	78	85	98	125	125	125	125	125	125
Outside diameter, [in]	2.6	3.1	3.3	3.9	4.9	4.9	4.9	4.9	4.9	4.9
Wear Limit Outside Diameter, mm	60	71	78	89	109	109	109	109	109	109
Wear Limit Outside Diameter, [in]	2.4	2.8	3.1	3.5	4.3	4.3	4.3	4.3	4.3	4.3
Wrench flat on top sub, mm	48	64	64	64	89	89	89	89	89	89
Wrench flat on top sub, [in]	1.875	2.5	2.5	2.5	3.5	3.5	3.5	3.5	3.5	3.5
Total Length without drill bit, mm *	787	818	904	899	1016	1049	1041	1069	1041	1069
Total Length without drill bit, [in] *	31.0	32.2	35.6	35.4	40.0	41.3	41.0	42.1	41.0	42.1
Effective Length, mm *	787	742	828	823	919	953	940	975	940	975
Effective Length, [in] *	31.0	29.2	32.6	32.4	36.2	37.5	37.0	38.4	37.0	38.4
Weight without drill bit, kg *	13.7	20.9	24.4	32.1	60.3	64.9	62.8	65.8	62.8	65.8
Weight without drill bit, [lbs] *	30.2	46.0	53.8	70.8	132.9	143.0	138.5	145.0	138.5	145.0
Piston diameter, mm	53	63	70	81	99	99	99	99	99	99
Piston diameter, [in]	2.1	2.5	2.8	3.2	3.9	3.9	3.9	3.9	3.9	3.9

\* Länge und Gewicht können je nach Imlochhammer-Modell variieren.





## 6. ROK SERIE & ROK T SERIE TECHNISCHE DATEN: (FORTGESETZT)

	X TUBELESS X		X TUBELESS X		X TUBELESS X		X TUBELESS X	
	ROK 600A	ROK 600T	ROK 60-360	ROK 60T-360T	ROK 60T-Mi6	ROK 650A	ROK 650M	ROK 650T
<b>Operating Parameters</b>								
Working pressure, Bar	6 to 28 87 to 406	6 to 28 87 to 406	6 to 28 87 to 406	6 to 28 87 to 406	6 to 28 87 to 406	6 to 28 87 to 406	6 to 28 87 to 406	6 to 28 87 to 406
Working pressure, [PSI]								
Air Consumption - m <sup>3</sup> /min								
10.4 bar [150 PSI]	7.4	8.6	7.4	8.6	8.6	7.4	7.4	8.6
17.2 bar [250 PSI]	16.7	19.5	15.8	19.5	19.5	16.7	16.7	19.5
24.1 bar [350 PSI]	26.5	32.4	24.9	32.4	32.4	26.5	26.5	32.4
<b>Air Consumption - SCFM</b>								
10.4 bar [150 PSI]	269	305	268	305	305	269	269	305
17.2 bar [250 PSI]	606	689	575	689	689	606	606	689
24.1 bar [350 PSI]	962	1145	905	1145	1145	962	962	1145
Recommended rotation speed, r/min	15 to 60	15 to 60	15 to 60	15 to 60	15 to 60	15 to 60	15 to 60	15 to 60
Minimum diameter difference between wear sleeve and bit, mm	12	12	12	12	12	12	12	12
Minimum diameter difference between wear sleeve and bit, [in]	0.47	0.47	0.47	0.47	0.47	0.47	0.47	0.47
<b>Technical Specifications</b>								
Bit shank	QL6/QL60	QL6/QL60/QL6T	360	360/360T	Mi6/60	QL6/QL60	QL6/QL60	QL6/QL60/QL6T
Recommended bit size, mm	155 to 178	155 to 178	155 to 178	155 to 178	155 to 178	165 to 178	165 to 178	165 to 178
Recommended bit size, [in]	6.1 to 7.0	6.1 to 7.0	6.1 to 7.0	6.1 to 7.0	6.1 to 7.0	6.5 to 7.0	6.5 to 7.0	6.5 to 7.0
Outside diameter, mm	142	142	142	142	142	149	149	149
Outside diameter, [in]	5.6	5.6	5.6	5.6	5.6	5.9	5.9	5.9
Wear Limit Outside Diameter, mm	130	130	130	130	130	130	130	130
Wear Limit Outside Diameter, [in]	5.1	5.1	5.1	5.1	5.1	5.1	5.1	5.1
Wrench flat on top sub, mm	95	95	95	95	95	95	95	95
Wrench flat on top sub, [in]	3.74	3.74	3.74	3.74	3.74	3.74	3.74	3.74
Total Length without drill bit, mm *	1039	1097	1092	1151	1072	1039	1039	1097
Total Length without drill bit, [in] *	40.9	43.2	43.0	45.3	42.2	40.9	40.9	43.2
Effective Length, mm *	942	1001	996	1057	977	942	942	1001
Effective Length, [in] *	37.1	39.4	39.2	41.6	38.5	37.1	37.1	39.4
Weight without drill bit, kg *	76	81	84	86	81	88	88	95
Weight without drill bit, [lbs] *	168.0	178.6	185.0	190.0	179.1	194.0	194.0	209.4
Piston diameter, mm	120	120	120	120	120	120	120	120
Piston diameter, [in]	4.7	4.7	4.7	4.7	4.7	4.7	4.7	4.7

\* Länge und Gewicht können je nach Imlochhammer-Modell variieren.



## 6. ROK SERIE & ROK T SERIE TECHNISCHE DATEN: (FORTGESETZT)

	ROK 65-360		ROK 65T-360T		ROK 65T-MI6		ROK 800A		ROK 875A		ROK 87A-380	
<b>Operating Parameters</b>												
Working pressure, Bar	6 to 28		6 to 28		6 to 28		6 to 28		6 to 28		6 to 28	
Working pressure, [PSI]	87 to 406		87 to 406		87 to 406		87 to 406		87 to 406		87 to 406	
Air Consumption - m <sup>3</sup> /min												
10.4 bar [150 PSI]	7.4		8.6		8.6		7.2		7.2		7.2	
17.2 bar [250 PSI]	15.8		19.5		19.5		19.5		19.5		19.5	
24.1 bar [350 PSI]	24.9		32.4		32.4		33.7		33.7		33.7	
Air Consumption - SCFM												
10.4 bar [150 PSI]	268		305		305		256		256		256	
17.2 bar [250 PSI]	575		689		689		689		689		689	
24.1 bar [350 PSI]	905		1145		1145		1189		1189		1189	
Recommended rotation speed, r/min	15 to 60		15 to 60		15 to 60		14 to 50		14 to 50		14 to 50	
Minimum diameter difference between wear sleeve and bit, mm	12		12		12		12		12		12	
Minimum diameter difference between wear sleeve and bit, [in]	0.47		0.47		0.47		0.47		0.47		0.47	
<b>Technical Specifications</b>												
Bit shank	360		360/360T		MI6/60		QL8/QL80		QL8/QL80		QL8/QL80	
Recommended bit size, mm	165 to 178		165 to 178		165 to 178		200 to 254		215 to 254		215 to 254	
Recommended bit size, [in]	6.5 to 7.0		6.5 to 7.0		6.5 to 7.0		7.9 to 10.0		8.5 to 10.0		8.5 to 10.0	
Outside diameter, mm	149		149		149		183		188		188	
Outside diameter, [in]	5.9		5.9		5.9		7.2		7.4		7.4	
Wear Limit Outside Diameter, mm	130		130		130		175		175		175	
Wear Limit Outside Diameter, [in]	5.1		5.1		5.1		6.9		6.9		6.9	
Wrench flat on top sub, mm	95		95		95		124		124		124	
Wrench flat on top sub, [in]	3.74		3.74		3.74		4.9		4.9		4.9	
Total Length without drill bit, mm *	1092		1151		1072		1285		1285		1303	
Total Length without drill bit, [in] *	43.0		45.3		42.2		50.6		50.6		51.3	
Effective Length, mm *	996		1057		977		1176		1176		1194	
Effective Length, [in] *	39.2		41.6		38.5		46.3		46.3		47.0	
Weight without drill bit, kg *	95		100		94		153		177		181	
Weight without drill bit, [lbs] *	208.6		220.6		207.1		336.6		391.0		398.0	
Piston diameter, mm	120		120		120		152		152		152	
Piston diameter, [in]	4.7		4.7		4.7		6.0		6.0		6.0	

\* Länge und Gewicht können je nach Imlochhammer-Modell variieren.



## **7. SICHERHEITSHINWEISE:**

Das Umfeld beim Einsatz von schlagenden Hämmern, stellt ein hohes Verletzungsrisiko dar, entsprechende Vorbereitungen und Achtsamkeit sind anzuraten. Stellen Sie immer sicher, dass Sie die Arbeitssicherheitsrichtlinien befolgen. Drehende Bauteile können lose oder abstehende Kleidung fangen. Ein hoher Lärmpegel des Hammers, und der hohe Luftdruck können Staub und kleine Steine aufwirbeln. Verwenden Sie daher immer passenden Gehörschutz und Sicherheitsbrillen, wenn Sie mit dem Imlochhammer arbeiten. Bleiben Sie mit Ihren Händen und Füßen immer fern vom Bohrloch. Achten Sie auch darauf, dass sie Ihre Finger nicht zwischen der Krone und dem Vordergehäuse klemmen.

## **8. GEWÄHRLEISTUNG:**

ROCKMORE garantiert auf alle Imlochhämmer der ROK Serie und ROK T Serie und deren Ersatzteile, dass diese frei von Mängeln im Vormaterial und frei von Herstellfehlern sind. Der Gewährleistungszeitraum endet 6 Monate nach Lieferung.

Um Anspruch auf Gewährleistung zu haben, müssen Sie einen Garantierantrag ausfüllen und auf eine Autorisierungsnummer warten, mit der Sie berechtigt sind die zu beanstandenden Bauteile retour zu senden. Die Frachtkosten aller Rücksendungen von neu- oder gebrauchte- Teilen werden nicht von Rockmore getragen. Bitte wenden Sie sich an den für Sie zuständigen Verkäufer oder Händler für weitere Informationen.

ROCKMORE behält sich vor, die Gewährleistung in folgenden Fällen abzulehnen:

- Bei Beschädigung des Hammers (bzw. dessen Einzelkomponenten) durch übertriebene Gewalteinwirkung
- Bei Verwendung von nicht Original- ROCKMORE-Bauteilen
- Bei jeglichen Versuchen den Hammer (bzw. dessen Einzelkomponenten) zu verändern, im speziellen, jedoch nicht ausschließlich durch Anbringung von Schweißnähten oder bei Erhitzen des Hammers.
- Bei Beschädigung durch nicht sachgerechter Verwendung und Servicierung (z.B. Klemmen außerhalb der vorgesehenen Bereichen, unzureichende Schmierung, Verschmutzung, Korrosion etc..)
- Bei Beschädigungen aufgrund von Missbrauch, Fehlanwendungen, nachlässiger Wartung und Reparaturen
- Bei Verschleiß aufgrund des normalen Bohrbetriebes

Der maximal empfohlene Betriebsdruck der Hämmer unserer ROK Serie und ROK T Serie ist 24 bar (350psi). Obwohl die Hämmer der ROK Serie und ROK T Serie einen größeren Druck als 24 bar standhalten können, verfallen aber die Gewährleistungsansprüche, wenn der Hammer mit einem höheren Druck betrieben wird.

## **Haftungsausschluss**

ROCKMORE haftet nicht für Schadenersatz bei Verletzungen oder Schäden an Mensch und Maschine durch den unsachgemäßen Betrieb, Reparatur, Wartung und Umgang mit ROCKMORE Hämmern und Kronen. ROCKMORE lehnt auch jegliche Haftung für Schäden, die durch Missachtung der Sicherheitsvorschriften, wie z.B. dem Tragen von Sicherheitskleidung, Schutzbrillen, etc. entstehen, ab.



For all your rock drilling tool needs contact  
**ROCKMORE INTERNATIONAL**



USA

Phone: 503-682-1001  
Fax: 503-682-1002  
E-mail: [info@rockmore-intl.com](mailto:info@rockmore-intl.com)

10065 SW Commerce Circle  
Wilsonville, OR 97070, USA

AUSTRIA

Phone: 43-3572-86300  
Fax: 43-3572-84179  
E-mail: [austria@rockmore-intl.at](mailto:austria@rockmore-intl.at)

Collini - Strasse 2  
A-8750 Judenburg, Austria



[www.rockmore-intl.com](http://www.rockmore-intl.com)