



ROCKMORE
INTERNATIONAL
Rock Drilling Tools



IR 3.5 Bit Shank

DTH HAMMER

ROK 300

Recommended Bit Diameter
88 - 105mm [3.5" - 4.1"]



Features:

- High Performance Design
- Integrated SonicFlow Technology
- Patented Innovations
- Superior Penetration Rates
- Reduced Number of Components
- Easy Assembly / Maintenance
- Advanced Materials / Heat-Treatment
- Extended Service Life

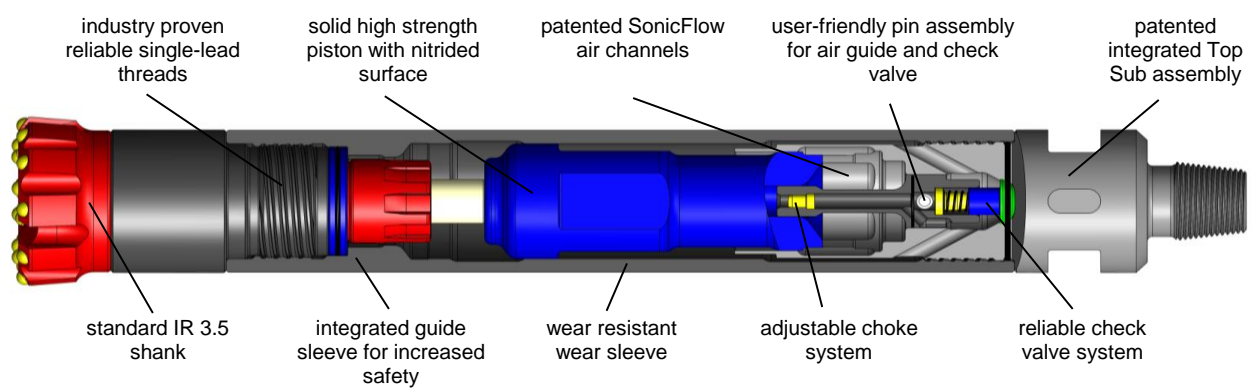
Applications:

- Mining / Blast Hole
- Environmental
- Geothermal
- Construction / Quarry
- Exploration

SonicFlow Technology greatly improves the air flow characteristics within the ROK hammer and ensures that the high pressure air paths are optimized to deliver greater energy to the piston. This is achieved by incorporating scientific air flow concepts in the design of the hammer and its various components such as the Top Sub, Piston, and Wear Sleeve. This technology results in more impact energy to the bit and produces higher penetration rates and better overall hammer performance.



Innovative Design Features



ROCKMORE International, Inc. 10065 S.W. Commerce Circle; Wilsonville, OR 97070, USA
Tel: +1-503-682-1001; Fax: +1-503-682-1002; info@rockmore-intl.com

ROCKMORE International GmbH Collini - Strasse 2; A-8750 Judenburg - Austria
Tel: +43 3572 86 300-0; Fax: +43 3572 84 179; austria@rockmore-intl.at

www.rockmore-intl.com

Rev. 6-12-24

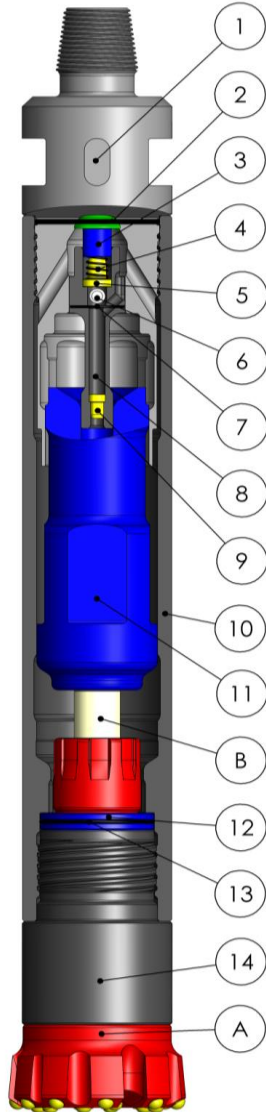


ROCKMORE
INTERNATIONAL
Rock Drilling Tools



**Integrated SonicFlow
Technology**

ROK 300



Patented

Parts List

Item	Part Number	Description
1	ROK300-001	DTH Hammer, 300, IR 3.5, 2-3/8" API Reg Pin
	300TS-001	Top Sub, 2-3/8" API Reg Pin
1	ROK300-002	DTH Hammer, 300, IR 3.5, 2-3/8" API Reg Box
	300TS-002	Top Sub, 2-3/8" API Reg Box
1	ROK300-003	DTH Hammer, 300, IR 3.5, Cubex #21 Pin with Splines
	300TS-003	Top Sub, Cubex #21 Pin with Splines
2	CV-004	Check Valve
3	SP-001	Spring
4	SR-002	Spring Rest
5	PN-006	Pin, 0.625" Dia, 2.40" L
6	R2-127	O-Ring, 1.424" X 0.103"
7	AG-004	Air Guide - includes o-ring and choke
8	CH-005	Blank Choke, Nylon
9	300WS-001	Wear Sleeve
10	PT-009	Piston
B	BTIR35HD-1018	IR 3.5HD Blow Tube
11	R2-135	O-Ring, 1.925" X 0.103"
12	BR-007	Bit Retainer Ring - includes o-ring
13	300DS-001	Driver Sub
A	DTH Bit	IR 3.5 Shank
	CHSET-002	Choke Set, Nylon, 1 each of CH-005 - 0" (0mm), CH-006 - 1/16" (2mm), CH-007 - 1/8" (3mm), CH-008 - 3/16" (5mm)

Operating Parameters

Air Pressure	Air Consumption
10.4 Bar [150 PSI]	4.1 m ³ /min [145 SCFM]
17.2 Bar [250 PSI]	5.6 m ³ /min [199 SCFM]
24.1 Bar [350 PSI]	9.0 m ³ /min [318 SCFM]
Oil consumption:	0.2 l/hr per 3.0 m ³ /min [1/3 pint/hr per 100 cfm]
Recommended rotation speed:	35 r/min to 95 r/min
Minimum diameter difference between wear sleeve and bit:	10 mm [0.39"]

Technical Specifications

Bit shank type	IR 3.5
Recommended bit diameter, mm [in]	88 to 105 [3.5 to 4.1]
Outside diameter, mm [in]	78 [3.1]
Wear sleeve discard diameter, mm [in]	71 [2.8]
Wrench flat size on Top Sub, mm [in]	64 [2.5]
Effective Length without drill bit, mm [in]	742 [29.2] - only for ROK300-001
Weight without drill bit, kg [lbs]	20.9 [46.0] - only for ROK300-001

ROCKMORE International, Inc. 10065 S.W. Commerce Circle; Wilsonville, OR 97070, USA
Tel: +1-503-682-1001; Fax: +1-503-682-1002; info@rockmore-intl.com

ROCKMORE International GmbH Collini - Strasse 2; A-8750 Judenburg - Austria
Tel: +43 3572 86 300-0; Fax: +43 3572 84 179; austria@rockmore-intl.at

www.rockmore-intl.com

Rev. 6-12-24